

Document Number: AFS-EC130-IBF-ICA

Revision: F

Date: 05 October 2018

INSTRUCTIONS FOR CONTINUED AIRWORTHINESS

INLET BARRIER FILTER SYSTEM

for the

Eurocopter France

Models EC130B4, EC130T2, and AS350B3 w/Dual Hydraulics

FAA STC No. SR02560CH



Donaldson[®]
FILTRATION SOLUTIONS
AEROSPACE & DEFENSE

17891 Chesterfield Airport Road
Chesterfield, MO 63005

COPYRIGHT© 2019

Donaldson Company, Inc.
UNPUBLISHED — ALL RIGHTS RESERVED

LIMITED and/or RESTRICTED RIGHTS NOTICE

This document, along with its drawings and photographs, contains Trade Secrets and/or Commercial or Financial Information that is proprietary to Donaldson Company, Inc. (DCI), under 5 USC 552 as amended, and is Prohibited from Public Disclosure by 18 USC 1905. Do not duplicate or disclose outside the U.S. Government without the express written permission of Donaldson Company, Inc.

The Government's rights to use, modify, reproduce, release, perform, display, or disclose these technical data are restricted to the purpose of evaluating DCI's design for FAA commercial certification and airworthiness consideration only. Any reproduction of technical data or portions thereof marked with this legend, or referring to this legend, must also reproduce the markings and legend. Any person, other than the Government, who has been provided access to such data must promptly notify: Donaldson Company, Inc., Attn: Business Manager, 17891 Chesterfield Airport Road, Chesterfield, MO 63005

The data subject to this limited/restricted rights notice is contained on all pages.

PROPRIETARY DATA STATEMENT

This data, excluding Chapter 4, Airworthiness Limitations, are proprietary to Donaldson Company, Inc. Disclosure, reproduction, or use of these data for any purpose other than helicopter operation and/or maintenance is forbidden without prior written authorization from Donaldson Company, Inc.

EFFECTIVITY

Effectivity for this ICA is for all Eurocopter model EC130B4, EC130T2 and AS350B3 w/dual hydraulics helicopters with the Donaldson Company, Inc. (DCI) Inlet Barrier Filter (IBF) System installed.

SIGNATURES

Revision		Name	Signature	Date
Initial Release	Prepared By:	Mark Johnson	Original Signed By	10-25-07
	Reviewed By:	Mike Schwarzkopf	Original Signed By	10-25-07
	Approved By:	Tom Newman	Original Signed By	10-25-07
A	Prepared By:	Mark Johnson	Original Signed By	04-04-08
	Reviewed By:	Mike Schwarzkopf	Original Signed By	04-04-08
	Approved By:	Tom Newman	Original Signed By	04-04-08
B	Prepared By:	Mark Johnson	Original Signed By	6-23-08
	Reviewed By:	Mike Schwarzkopf	Original Signed By	6-23-08
	Approved By:	Tom Newman	Original Signed By	6-23-08
C	Prepared By:	Mark Johnson	Original Signed By	4-27-10
	Reviewed By:	Mike Schwarzkopf	Original Signed By	4-27-10
	Approved By:	Tom Newman	Original Signed By	4-27-10
D	Prepared By:	Mark Johnson	Original Signed By	11-4-11
	Reviewed By:	Gary Heyne	Original Signed By	11-4-11
	Approved By:	Tom Newman	Original Signed By	11-4-11
E	Prepared By:	Gary Heyne	Original Signed By	9-3-14
	Reviewed By:	Jarrod Bax	Original Signed By	9-3-14
	Approved By:	Mark Johnson	Original Signed By	9-3-14
F	Prepared By:	Shane O'Donnell		10-05-18
	Reviewed By:	Mark Boyce		10-05-18
	Approved By:	Matt Gorlewicz		10-05-18

LOG OF REVISIONS

Revision No.	Revision Description	Release Date
IR	Initial Release	10-25-07
A	Revised Appendix A	04-04-08
B	Added AS350B3 w/dual hydraulics to the aircraft eligibility	6-23-08
C	Added Optional Filter 121300-103 to Appendix	4-27-10
D	Revised Appendix A	11-4-11
E	Revised amount of filter oil to be applied to the filter, updated oil and cleaner callouts. Added EC130T2, added electrical for EC130T2	9-3-14
F	<p>Replaced all instances of Aerospace Filtration Systems and AFS with Donaldson Company and DCI.</p> <p>Added '14 CFR' to Section 1.4.</p> <p>Revised website link and removed the requirement to register in order to access webpage in Section 1.9.</p> <p>Revised Inspection interval from 100 hours to 150 hours in all instances.</p> <p>Revised Section 7.2.1 (c) to include a performance penalty option for the AS350B3 dual hydraulic.</p> <p>Revised Section 7.3.2 (a) to reference Section 7.1 (b).</p> <p>Added task to check inlet area for foreign object debris before installing filters and torque range for WES fasteners to Section 8.1.</p> <p>Revised Figure A-1 table to include new part hierarchy.</p> <p>Revised Figure A-2 table to include new part hierarchy and add 121311-201 as not required.</p> <p>Revised Figure A-13 table to replace 106113-201 (item 11) with 106113-205 to fix typo.</p> <p>Revised Figure A-14 and table to new electrical schematic.</p> <p>Added Figure A-15 and table.</p>	10-05-18

INSTRUCTIONS FOR CONTINUED AIRWORTHINESS

For the Donaldson Company Engine Inlet Barrier Filter System
Installed on the Eurocopter France Models EC130B4 and AS350B3 w/Dual Hydraulics

Table of Contents

1	INTRODUCTION.....	1
1.1	SCOPE OF THIS MANUAL.....	1
1.2	USE OF THIS MANUAL	1
1.3	DEFINITIONS / TERMINOLOGY	1
1.4	ACRONYMS	3
1.5	WARNINGS, CAUTIONS, AND NOTES	4
1.6	UNITS OF MEASURE	4
1.7	REFERENCE PUBLICATIONS	4
1.8	LIST OF APPLICABLE PUBLICATIONS	4
1.9	DISTRIBUTION OF CHANGES	5
1.10	INDICATION OF CHANGES	5
1.11	SYSTEM DESCRIPTION AND OVERVIEW	5
2	AIRWORTHINESS LIMITATIONS.....	8
2.1	FAA APPROVAL BLOCK.....	8
2.2	GENERAL	9
2.3	FILTER RETIREMENT LIFE	9
2.4	LIFE LIMITED COMPONENTS	9
3	INSPECTION REQUIREMENTS AND OVERHAUL.....	10
3.1	INSPECTION REQUIREMENTS	10
3.2	GENERAL REQUIREMENTS.....	10
3.2.1	<i>Filter Assembly Inspection</i>	10
3.2.2	<i>Structural Component Inspections</i>	11
3.2.3	<i>Systems and Electrical Component Inspections</i>	11
3.2.4	<i>IBF Bypass Cockpit Switch Function Check</i>	12
3.3	OVERHAUL REQUIREMENTS	12
4	ACCESS PANELS	15
4.1	GENERAL DESCRIPTION.....	15
4.2	ACCESS FOR FILTER SERVICING	15
4.3	ACCESS FOR MAINTENANCE	15
5	STORAGE	16
5.1	STORAGE	16
6	PLACARDS, DATA PLATES, AND MARKINGS	17
6.1	MARKING – PART NUMBER / PMA / SERIALIZATION	17
6.2	DATA PLATE – FILTER ASSEMBLY	17
6.3	PLACARDS / MARKINGS - COCKPIT	17
7	SERVICING.....	18
7.1	AUTHORIZED MATERIALS.....	18
7.2	FILTER SERVICE INTERVALS	18
7.2.1	<i>GENERAL REQUIREMENTS</i>	18
7.2.2	<i>PREPARED FIELD OPERATIONS</i>	19
7.2.3	<i>SEVERE ENVIRONMENT OPERATIONS</i>	20
7.3	FILTER ASSEMBLY SERVICING	20

7.3.1	FILTER PRE-CLEANING	20
7.3.2	FILTER CLEANING.....	20
7.3.3	FILTER DRYING	21
7.3.4	FILTER OILING.....	22
7.4	STRUCTURAL COMPONENT SERVICING	23
7.5	SYSTEMS AND ELECTRICAL SERVICING	24
7.6	ENGINE WATER WASH.....	24
7.7	AIRCRAFT WASHING	24
8	TROUBLESHOOTING AND MAINTENANCE	25
8.1	MAINTENANCE GENERAL	25
8.2	COMPONENTS - GENERAL DESCRIPTION.....	26
8.2.1	Filter Assy / Filter Seal	26
8.2.2	Structural Components.....	26
8.2.3	Systems and Electrical Components.....	26
8.3	FILTER ASSY / FILTER SEAL	27
8.3.1	FILTER ASSY	27
8.3.2	FILTER SEAL.....	31
8.4	STRUCTURAL COMPONENTS.....	32
8.4.1	EUROCOPTER EC130B4/AS350B3 AIR INDUCTION COWLING	32
8.4.2	BYPASS DOOR	33
8.4.3	BYPASS DOOR SEAL	34
8.4.4	STRUCTURAL ASSEMBLY.....	35
8.5	SYSTEMS AND ELECTRICAL COMPONENTS.....	37
8.5.1	COCKPIT SWITCH/INDICATOR.....	37
8.5.2	DIFFERENTIAL PRESSURE SWITCH	38
8.5.3	Filter Maintenance Aid	41
8.5.4	ACTUATOR.....	43
8.5.5	WIRING, WIRING HARNESS, CONNECTORS, BACKSHELLS, CIRCUIT BREAKER, RELAY.....	47
8.6	FASTENER LISTING	48
8.7	PROTECTIVE TREATMENT.....	48
8.8	TROUBLESHOOTING GUIDE	50
8.9	SPECIAL TOOLS / SPECIAL EQUIPMENT	51
8.9.1	CONSUMABLE MATERIALS, SUPPLIES, AND PROTECTIVE TREATMENT SPECIFICATIONS ..	51
9	ICA APPENDIX A – ILLUSTRATED PARTS BREAKDOWN	A-1

Table of Pictures

Picture 1: FMA Operation	13
Picture 2: Cockpit Switch/Indicator	17
Picture 3: Circuit Breaker	17
Picture 4: Oiling Filter Media	23
Picture 5: Hand Seamer Used to Straighten or Crimp Pleats.....	29
Picture 6: Test Setup with Manometer.....	41

Table of Tables

Table 1: Inspection Intervals.....	14
Table 2: Protective Treatment for Components.....	49
Table 3: Troubleshooting Guide	50
Table 4: Consumable Materials, Supplies and Protective Treatment Specifications	51

Table of Figures

Figure 1: IBF System Installation.....	7
Figure 2: FMA Reset Location	13
Figure 3: Example of Filter Assembly Data Plate	17
Figure 4: Test Equipment Setup	40

THIS PAGE INTENTIONALLY LEFT BLANK

1 INTRODUCTION

1.1 SCOPE OF THIS MANUAL

These Instructions for Continued Airworthiness (ICA) provide the information required to do the maintenance and repair of the Donaldson Company, Inc. (DCI) Inlet Barrier Filter (IBF) system installation on the Eurocopter Models EC130 and AS350B3 w/dual hydraulics helicopters. The ICA should be used in conjunction with all pertinent Eurocopter Models EC130B4, EC130T2, and AS350B3 series manuals and all publications listed in the List of Applicable Publications (LOAP).

NOTE

Thoroughly review and become familiar with the Appendix A – Illustrated Parts Breakdown section of this ICA before performing maintenance on the IBF system.

1.2 USE OF THIS MANUAL

The instructions that are given in this manual and those that have been changed by revisions, bulletins and/or alerts issued by DCI, Eurocopter or the Airworthiness Directives issued by the local Aviation Authority, shall be strictly followed.

1.3 DEFINITIONS / TERMINOLOGY

Actuator	An electromechanical actuator used to open / close the bypass door.
Air induction screen	Screen installed in the engine inlet on baseline configuration aircraft in lieu of the Sand Filter or the IBF, to prevent engine foreign object damage.
Air induction cowling	This cowling houses the major kit components including the IBF filter assembly, adaptor frame, bypass door assembly and associated wiring.
Brownout	A brownout condition is a zero visibility condition usually caused by hovering in a dusty environment.
Bypass	The bypass is an alternate air inlet used only when the main engine air inlet through the filter becomes clogged or blocked.
Bypass door	Door is located just aft of the filter that when opened by the actuator allows unfiltered air to be drawn into the engine.

Cockpit switch/indicator	<p>A push button switch, labeled “IBF”, is used to OPEN or CLOSE the bypass door. This switch is normally CLOSED and is depressed to the OPEN position only when the cockpit indicator, an amber caution “FILTER” light in the switch, illuminates.</p> <p>The “FILTER” portion of the switch illuminates any time the differential pressure reaches or exceeds a preset value.</p> <p>The “BYPASS” portion of the switch illuminates when the bypass door is completely open.</p>
Differential pressure	<p>Drop in pressure across the filter assembly, which is measured by the differential pressure switch and the filter maintenance aid.</p>
Delta P switch	<p>Differential pressure switch.</p>
Filter	<p>Barrier type filter media made oiled or dry media</p>
Filter assembly	<p>Filter media supported by pleated stainless steel screen on both sides and the filter assembly frame components around the perimeter of the filter media.</p>
Filter assembly frame	<p>Structure that frames, retains, and seals the outside edges of the filter media.</p>
Filter downstream side	<p>Clean side of the filter media (i.e. the side of the filter facing downward).</p>
Filter media	<p>Multiple layers of cotton gauze saturated with specially formulated oil or multiple layers of Donaldson Company Inc. proprietary dry media</p>
Filter pleats	<p>Stainless steel screen is used to form the pleats and hold the filter media in place.</p>
Filter upstream side	<p>Dirty side of the filter media (i.e. the side facing upward into the air stream on which the dirt collects).</p>
Inches of water	<p>Unit of measure used for the differential pressure measured across the filter, as measured with a water manometer or similar apparatus.</p>
Oiling	<p>Process used to apply a uniform amount of oil to Donaldson’s oiled cotton filter media.</p>
On-condition	<p>Indicates that servicing of the filter is based on a Filter Maintenance Aid (FMA) indication in the area marked in “RED”, Engine Power Check (EPC) results (where a failed EPC is the result of a dirty Filter Assembly), and / or any “IBF FILTER” light indication on the cockpit indicator.</p>

Plenum chamber	Space between the filter assembly and the engine inlet, and the space between the Bypass Door and engine inlet.
Service cycle	Period starting when a filter is cleaned, where applicable, oiled and placed into service and ending when the filter is removed for its next cleaning.

1.4 ACRONYMS

DCI	= Donaldson Company Inc.
FAR	= Federal Aviation Regulation
FMA	= Filter Maintenance Aid
FMS	= Flight Manual Supplement
FOD	= Foreign Object Damage
IBF	= Inlet Barrier Filter
ICA	= Instructions for Continued Airworthiness
IP	= Installation Procedures
IPB	= Illustrated Parts Breakdown
LOAP	= List of Applicable Publications
OAT	= Outside Air Temperature
EPC	= Engine Power Check
RFM	= Rotorcraft Flight Manual
SAE	= Society of Automotive Engineers
TCDS	= Type Certificate Data Sheet
TIS	= Time in Service
14 CFR	= Title 14 of the Code of Federal Regulations

1.5 WARNINGS, CAUTIONS, AND NOTES

Warning, cautions and notes are used throughout this manual to emphasize important and critical instructions.

WARNING

IF YOU DO NOT FOLLOW THE INSTRUCTIONS THAT ARE GIVEN IN A WARNING, PERSONAL INJURY CAN OCCUR.

CAUTION

IF YOU DO NOT FOLLOW THE INSTRUCTIONS THAT ARE GIVEN IN A CAUTION, YOU CAN CAUSE DAMAGE TO THE HELICOPTER OR TO THE COMPONENTS.

NOTE

A note includes supplemental data about the procedure, the practice, the condition, etc for the maintenance task.

1.6 UNITS OF MEASURE

U.S. Standard units of measure have been used in preparation of this manual. Typical units used in this manual include: inches of water measuring differential pressure, inch-pounds of torque, etc.

1.7 REFERENCE PUBLICATIONS

Reserved for future use.

1.8 LIST OF APPLICABLE PUBLICATIONS

Eurocopter France

EC130B4, EC130T2, and AS350B3 Technical Publications

FAA

FAA Advisory Circular, AC 43.13-1B, Acceptable Methods, Techniques, and Practices – Aircraft Inspection and Repair

1.9 DISTRIBUTION OF CHANGES

Changes shall be distributed by posting them on the DCI webpage:
<https://www.donaldsonaerospace-defense.com/industries/rotorcraft>.

NOTE

This webpage should be checked prior to the performance of any maintenance actions on the IBF system to confirm possession of the latest FAA approved revision. If access to the internet is not possible, contact DCI at (636) 300-5200 for assistance.

1.10 INDICATION OF CHANGES

All changes will be complete revisions with all pages marked with the latest revision letter. All changes since the last revision shall be marked with a black vertical bar in the right side of the page.

1.11 SYSTEM DESCRIPTION AND OVERVIEW

- a. The Eurocopter EC130B4/EC130T2/AS350B3 IBF provides a barrier type filter assembly that mounts to the top of the Engine Air Induction Cowling in the same location and in lieu of the Air Induction Screen. The IBF installation requires only minor modifications to the existing Air Induction Cowling. The IBF provides aircraft owner/operators a high performance engine air filtration option that provide excellent filtration efficiency. The IBF will increase the life of the engine through a dramatic reduction in erosion resulting from the substantial increase in filtration efficiency without degrading engine performance. The DCI IBF system provides dust separation efficiencies exceeding 99% for Society of Automotive Engineers (SAE) AC Coarse and AC Fine dust as defined in specification SAE J726, Air Cleaner Test Code.
- b. The IBF system does not interfere with any of the commercial items installed in the Eurocopter EC130B4, EC130T2 and AS350B3 production aircraft. The IBF is a complete system in which safety, functionality and serviceability were major considerations in the design process. The major kit components include the filter assembly, cockpit switch/indicator, structural assembly (which includes the bypass door assembly, actuator, differential pressure switch, filter maintenance aid and wiring harness). Figure 1, located at the end of this chapter, provides an exploded view of the major kit components with the exception of the cockpit switch, indicator light and wiring harness. For a detailed illustration of all kit components, see the Appendix A – Illustrated Parts Breakdown.
- c. The major components making up the bypass system include the bypass door, actuator, wiring harness, cockpit switch, indicator light, and differential pressure switch.
- d. The IBF system provides a means of monitoring the condition of the filter both in-flight and on the ground, and a bypass capability should flow through the filter become restricted. In-flight, when the differential pressure reaches the pre-set value the cockpit indicator light illuminates

alerting the pilot that the filter is becoming restricted causing the engine to operate less efficiently. At this point, the IBF is operating at approximately the same inlet differential pressure normally experienced with the Sand Filter installed. Upon illumination of the IBF “FILTER” caution light, the pilot must closely monitor the engine instruments and if engine performance degradation is evident the pilot should push the cockpit switch, labeled IBF, to activate the actuator and open the bypass door. This will cause the top light, labeled “FILTER”, to extinguish and the bottom light, labeled “BYPASS”, to illuminate. The electromechanically actuated bypass door permits unfiltered air to enter the engine inlet plenum chamber should the filter media become obstructed, and can be opened or closed as required. On the ground, a Filter Maintenance Aid, mounted to the forward L/H side of the firewall, which can be viewed by opening the MGB Cowling, displays the maximum differential pressure across the filter reached during the last flight. It is accessible only on the ground, providing the pilot or mechanic the ability to visually gauge the current condition of the filter. This gives the mechanic the ability to forecast the timing of the next service cycle. The Filter Maintenance Aid can be reset by depressing the yellow button marked “PUSH TO RESET” located on the end of the Filter Maintenance Aid (See Pictures 1 & 2).

- e. The design of the bypass system allows the ground crew to cycle the bypass door with power on the aircraft. The switch can be pushed to actuate the bypass door open, and then pushed again to actuate it closed. Full functional verification of the bypass system including all electromechanical components and the filter maintenance aid is possible during routine maintenance (see Chapter 8).
- f. Removal of the filter assembly for servicing is easily achieved by removal of thirteen captive fasteners. The filter assembly can then be lifted out of the engine cowling.
- g. The engine wash can be accomplished in the same manner prior to installing the IBF system.

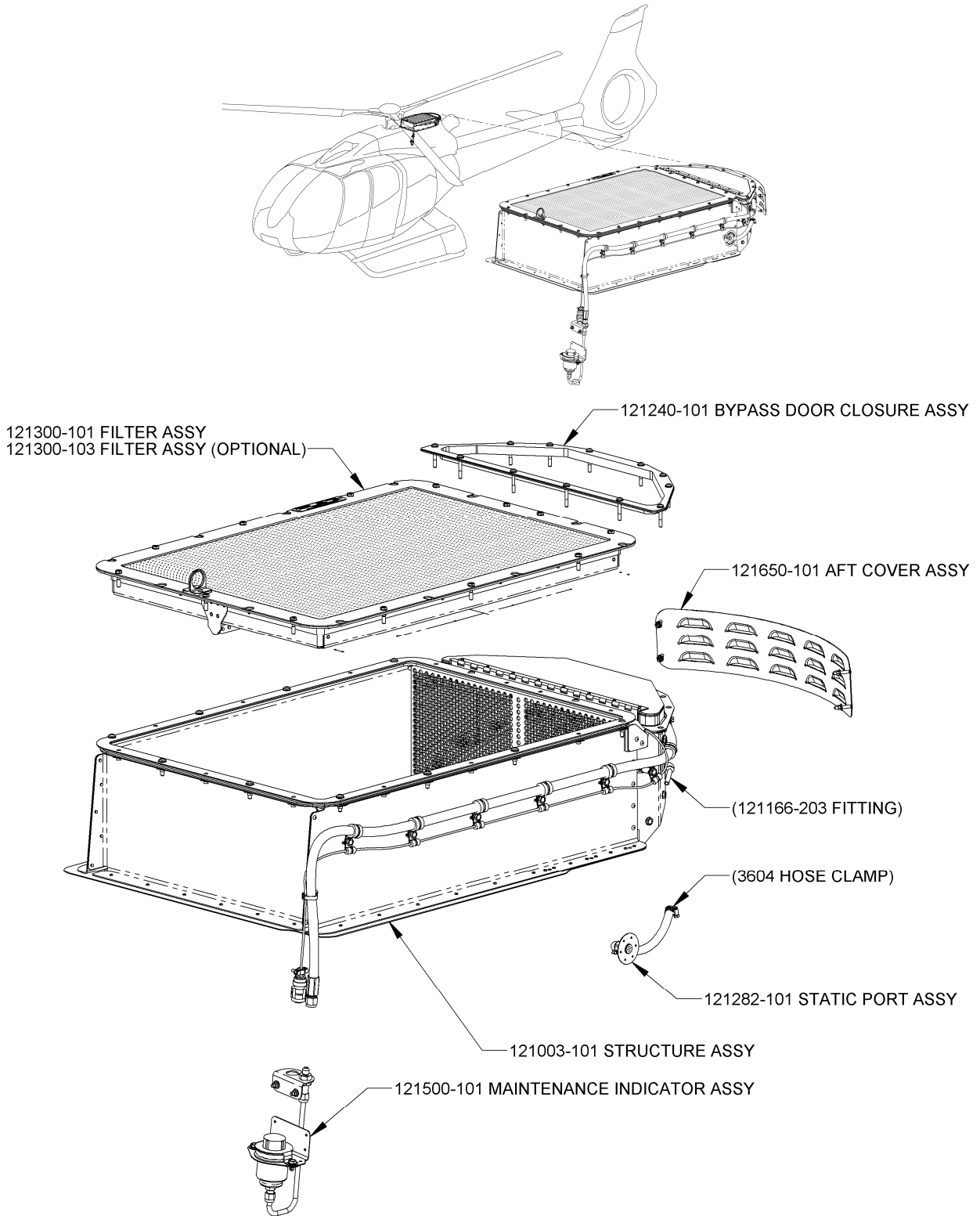


Figure 1: IBF System Installation

2 AIRWORTHINESS LIMITATIONS

2.1 FAA APPROVAL BLOCK

The Airworthiness Limitations Section is FAA approved and specifies maintenance required under Secs. 43.16 and 91.403 of the Federal Aviation Regulations unless an alternative program has been FAA approved.

Revision	Date of FAA Signature	FAA Signature
Initial Release		Superseded
A		Superseded
B		Superseded
C	Aug 17, 2011	Timothy Smyth
D	Limitations not affected	
E	Jan 05, 2015	Christopher Richards
F	July 21, 2020	For Roy Boffo

2.2 GENERAL

The Airworthiness Limitations for the DCI Inlet Barrier Filtration system (IBF) as installed on Eurocopter France model EC130B4, EC130T2, and AS350B3 w/dual hydraulics helicopters are FAA approved.

NOTE

The retirement life given or the failure to give a retirement life to a component does not constitute a warranty of any kind. The only warranty applicable to any component is the warranty included in the Purchase Agreement for the helicopter or the component.

2.3 FILTER RETIREMENT LIFE

After fifteen (15) cleaning and oiling cycles, the filter must be removed from service at the next servicing interval. The filter data tag is scribed after each cleaning cycle (see Section 6-2). When all numerals (1-15) on the data tag have been scribed out, the filter shall be removed from service at the next service interval. No further cleaning cycles are authorized.

2.4 LIFE LIMITED COMPONENTS

The only life limited component features are the number of cleanings of the filter assembly. See Section 2.3.

3 INSPECTION REQUIREMENTS AND OVERHAUL

3.1 INSPECTION REQUIREMENTS

3.2 GENERAL REQUIREMENTS

- a. Inspection of the IBF system consists of, in general terms, inspection of the filter assembly, inspection of the structural components, inspection of electrical and system components, and a special inspection at three specified points based on hours after initial installation. The components of the system are divided, generally as a scope of work, into Filter Assembly, Seal, Structural Components, and Systems and Electrical components as is done throughout the manual.
- b. Refer to the Appendix A - Illustrated Parts Breakdown for component illustrations that provide supplemental information relative to proper assembly configuration, orientation, and locations for all components to be inspected per Chapter 3 and Table 1. Refer to Appendix A, Figure A-1 for the primary kit components. Refer to Figures A-2 through A-10 for structural details. Refer to Figure A-11 for electrical components.
- c. Table 1 gives a recommended inspection schedule for the components of the system. The Trouble-Shooting Guide, Table 3 found near the end of Chapter 8, also gives additional guidance when performing inspections and encountering trouble with the system. Chapter 8 also provides specific inspection guidance and removal/installation procedures for each component and is structured in the same three major groups as discussed above.

3.2.1 Filter Assembly Inspection

- a. The following inspections pertain to the barrier filter assembly and associated components, which include the filter assembly (i.e. filter frame and filter media) and all associated seals/fasteners.
- b. ON-CONDITION: Any FMA indication in the “RED”, “FILTER” light indication of the IBF cockpit indicator or failed EPC requires a visual inspection in accordance with Chapter 8.
- c. VISUAL: All filter assembly components are to be visually inspected at every annual inspection in accordance with Table 1 checking for the following: filter media for tears, punctures, uneven or damaged pleats; seals for tears/damage; frame components for corrosion, cracks, distortions near holes, and check for missing or damaged fasteners.

3.2.2 Structural Component Inspections

VISUAL: All structural IBF components are to be inspected in accordance with Table 1 every 150 hours and annual inspection. These components include the following: Eurocopter Air Induction Cowling (OEM equipment), Filter Assembly, Bypass Door Assembly, Upper Fairing Assembly, Engine Interface Assembly, and the Engine Plenum Extension.

3.2.3 Systems and Electrical Component Inspections

- a. **VISUAL:** The systems and electrical components are to be visually inspected in accordance with Table 1 every 150 hours and annual inspection. These components include the following: Wiring, Wiring Harness, Connectors, Backshells, Circuit Breaker, Cockpit Switch/ Indicator, Differential Pressure Switch, Filter Maintenance Aid, and Actuator.
- b. **FUNCTION CHECK:** Certain systems and electrical components are also to be function checked in accordance with Table 1 every annual inspection. These components include the following: Circuit Breaker, Cockpit Switch/Indicator, Differential Pressure Switch, Filter Maintenance Aid, and Actuator.
- c. **FMA CHECK:** The FMA check is performed to ascertain the current condition of the filter or to gage the trend in accumulation of dirt. The FMA check is only a check of the indicator reading (See Picture 1). As such it is not considered an inspection of the FMA. The inspection Table 1 does not require a specific “inspection” interval of the FMA. The condition of the Filter Assembly and its accumulation of dirt will show up as an indication on the FMA. Thus operational environment, more so than time in service, dictate how often the FMA should be checked in order to help determine the next Filter Assembly service requirement. It is an aid in scheduling the Filter Assembly servicing. At any time prior to an FMA indication in the “RED” (See Picture 1), a failed EPC, or a IBF “FILTER” indication on the cockpit indicator, when maintenance or flight personnel see a trend based on the FMA readings over time that would warrant servicing of the filter due to operational considerations, such as when the aircraft will be operated in a remote or off-site location without the ability to readily service the filter, the filter may be serviced, or replaced. See Section 7.2 for a further description of the use of the FMA as it relates to the Filter Assembly service interval. See filter servicing Section 7.3.

NOTE

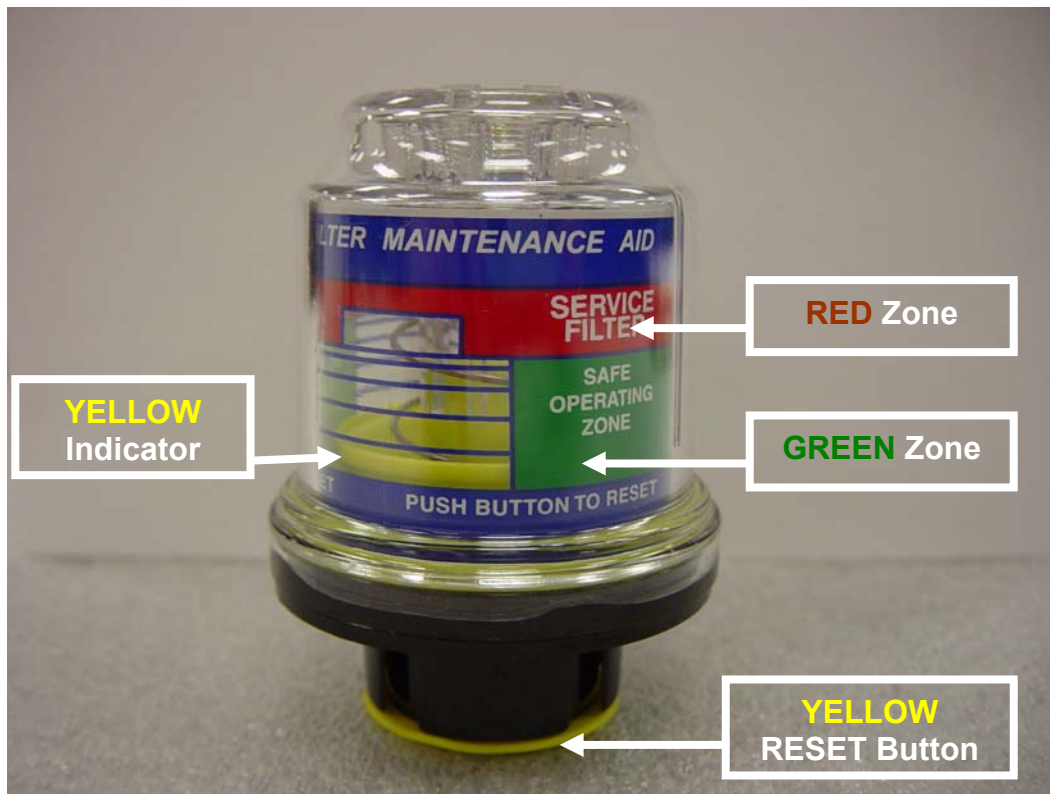
The Filter Maintenance Aid is designed to hold the highest differential pressure across the filter assembly reached during the last flight, and should be reset after servicing of the filter assembly by depressing the yellow button marked “PUSH TO RESET” located on the end of the filter maintenance aid (See Picture 1).

3.2.4 IBF Bypass Cockpit Switch Function Check

FUNCTION CHECK: A function check of the IBF BYPASS Cockpit Switch is to be performed every 150 hours (See Table 1). Perform the function check as follows: (1) With aircraft power ON, push the IBF BYPASS switch in, the BYPASS light should illuminate and the bypass door should open, visually verify this has happened. (2) Push and release the IBF BYPASS switch, and the BYPASS light should go out and the bypass door should close, visually verify this has happened. Turn aircraft power OFF. If conditions are not met refer to Table 3 Troubleshooting Guide.

3.3 OVERHAUL REQUIREMENTS

There are no overhaul intervals or requirements applicable to this product at this time.



Picture 1: FMA Operation

“YELLOW Indicator” position relative to SAFE OPERATING ZONE (“GREEN Zone”) or SERVICE FILTER (“RED Zone”) markings defines current filter condition, and pushing “YELLOW RESET Button” resets indicator.

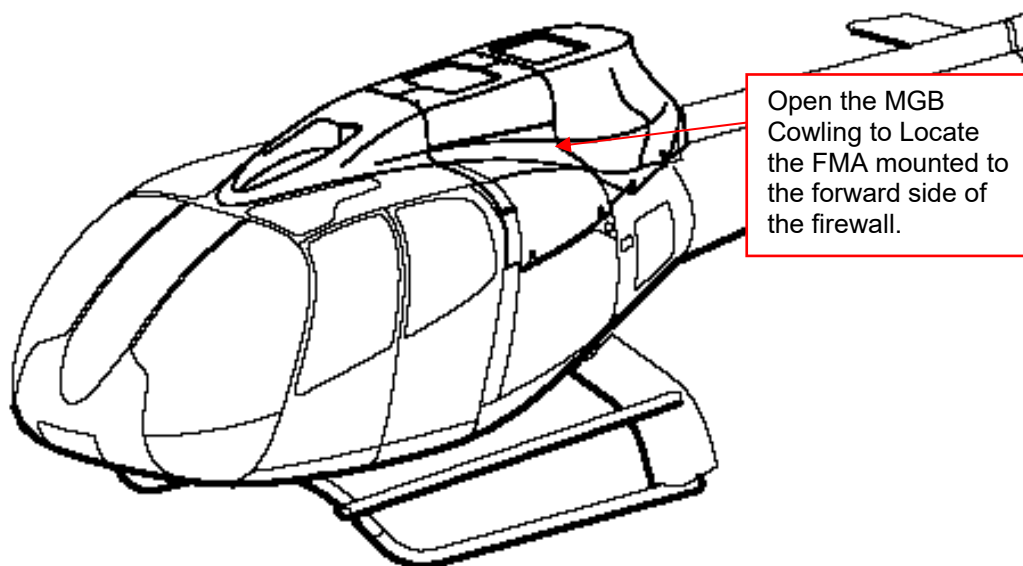


Figure 2: FMA Reset Location

Table 1: Inspection Intervals

Components	Inspection Type	Inspection	Inspection Intervals			Notes
			Scheduled		Time In Service	
			150 Hrs.	Annual		
Filter Assembly as defined in para. 3.2.1.	Conditional	1. Visual			300 hrs / 1 yr	2, 3, 4, 5, 7
	Scheduled	2. Visual		X		1, 2, 4, 6, 7
Structural Components as defined in para. 3.2.2.	Scheduled	1. Visual	X	X		1, 2, 4, 6
Systems and Electrical Components as defined in para. 3.2.3.	Scheduled	1. Visual	X	X		1, 2, 4, 6
	Scheduled	2. Function Check		X		1, 2, 4, 5
IBF Bypass Cockpit Switch as defined in para. 3.2.4.	Scheduled	1. Function Check	X			8

NOTES:

1. Refer to Chapter 8 for specific inspection requirements and functional check procedures.
2. Refer to Chapter 4 for access information.
3. IBF FILTER light or failed EPC. This inspection is required any time an IBF FILTER light indication or failed EPC is reported by the pilot.
4. Reference Appendix A – Illustrated Parts Breakdown.
5. Reference Trouble-Shooting Guide, Table 3 of this manual.
6. Perform a visual inspection checking for deformation, buckling, corrosion, cracks, dents, tears, or other signs of damage and repair in accordance with the procedures in Chapter 8.
7. The maximum filter service interval between cleanings under any conditions is 300 flight hours or 1 year TIS, whichever comes first. Up to the TIS limit, the inspection of the Filter Assembly is “On-Condition” based on an FMA indication in the “RED”, any “IBF FILTER” light indication on the Cockpit Indicator, and / or upon a failed EPC (where the failed EPC is the result of a dirty Filter Assembly).
8. If conditions are not met refer to the Table 3 Troubleshooting Guide in this manual.

4 ACCESS PANELS

4.1 GENERAL DESCRIPTION

This chapter addresses how to access the IBF system installation for servicing or maintenance.

4.2 ACCESS FOR FILTER SERVICING

Filter servicing requires removal of the filter assembly. See Chapter 8 for filter assembly removal/installation procedures and Chapter 7 for filter servicing procedures.

4.3 ACCESS FOR MAINTENANCE

Access for maintenance of the system components located below the bypass door assembly (i.e. actuator, delta p switch, etc.) requires removal of the floor closeout on the bottom of the structural assembly. See Chapter 8 for component removal/installation procedures, inspection, troubleshooting guide, adjustment/calibration/repair procedures.

5 STORAGE

5.1 STORAGE

CAUTION

NEVER INSTALL AN OILED MEDIA FILTER ASSEMBLY AND/OR OPERATE AN AIRCRAFT WITH AN OILED MEDIA FILTER INSTALLED WHERE THE FILTER MEDIA HAS NOT BEEN PROPERLY OILED.

Long-term storage has no effect on filter assembly reliability if stored unoiled (dry) in a cool, dry location to discourage possible fungus growth. After storage, the only maintenance to be performed on the filter before installation on the aircraft is oiling of the filter media. Refer to filter servicing Section 7.3.

6 PLACARDS, DATA PLATES, AND MARKINGS

6.1 MARKING – Part Number / PMA / Serialization

The IBF system is marked on the RH structural assembly to contain the top level part number, the serial number of the system, and the FAA PMA markings, if applicable.

6.2 DATA PLATE – FILTER ASSEMBLY

After the filter assembly has been serviced an “X” is marked through one of the unmarked boxes on the serviceability tag (see Figure 3). When the last unmarked box is crossed through, the filter assembly will have to be replaced at the next servicing. See Chapter 7 for servicing procedures.

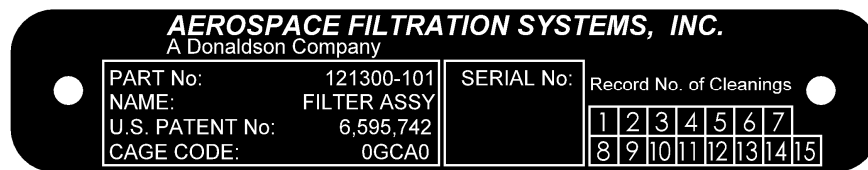


Figure 3: Example of Filter Assembly Data Plate

6.3 PLACARDS / MARKINGS - COCKPIT

- The IBF utilizes a cockpit switch/indicator labeled “IBF” on the aircraft instrument panel. The top half illuminates an amber “FILTER” message when the IBF differential pressure has reached a preset value. The bottom half illuminates an amber “BYPASS” message when the actuator has been energized and the bypass door is open. See Picture 2 for markings.
- The IBF circuit breaker in the lower center console is marked “IBF”. See Picture 3 for markings.



Picture 2: Cockpit Switch/Indicator



Picture 3: Circuit Breaker

7 SERVICING

7.1 AUTHORIZED MATERIALS

Service DCI Filter with only the following:

- a. Air Filter Oil
 - Squeeze bottle (11.2 oz) - DCI P/N 100100-112
 - 1 qt. bottle - DCI P/N 100100-320
 - 1 gal. container - DCI P/N 100101-000
 - 5 gal. container - DCI P/N 100105-000

- b. Air Filter Cleaner
 - 1 gallon container - DCI P/N 100201-000
 - 5 gallon container - DCI P/N 100205-000
 - Zok 27

Contact DCI for the products listed above.

NOTE

Refer to Chapter 8 for removal, inspection, repair and installation of filter assembly. Upon satisfactory inspection and any required maintenance of the filter assembly proceed with the rest of the servicing instructions for the filter assembly.

7.2 FILTER SERVICE INTERVALS

The filter service interval is based on the specific aircraft operating environment. The filter service intervals section is broken up in three parts: general requirements pertaining to all operations, specific recommendations for operations on prepared fields, and for operations in severe environments.

7.2.1 GENERAL REQUIREMENTS

NOTE

The maximum filter service interval between cleanings under any conditions is 300 flight hours or 1 year TIS, whichever comes first. Up to the TIS limit, the filter is considered an “on-condition” item.

NOTE

The FMA is an aid to help maintenance personnel and pilots to ascertain the condition of the filter at any point in time or to trend the accumulation of dirt on the Filter Assembly over a period of time.

- a. Up to the 300 hour / 1 year TIS limit, the “on condition” requirement for servicing the Filter Assembly is based on a FMA indication, an IBF “FILTER” light indication on the cockpit indicator or upon a failed EPC (where the failed EPC is the result of a dirty Filter Assembly).
- b. Any IBF “FILTER” indication, where the pressure sensor and indicating system are working properly, requires servicing of the filter assembly. See filter servicing Section 7.3.
- c. The gradual increase in differential pressure across the IBF filter assembly causes an increase in T_4 required to produce a specified torque as measured during the EPC. A failed EPC due to an increase in differential pressure across the filter is cause for servicing of the filter assembly (see filter servicing Section 7.3) or a performance penalty for the AS350B3 with dual hydraulics (see Flight Manual Supplement AFS-EC130-IBF-FMS).
- d. Any FMA indication in the area marked in “RED” requires servicing of the filter assembly. See filter servicing Section 7.3.
- e. At any time prior to an IBF “FILTER” indication on the cockpit indicator, an FMA indication in the “RED”, or a failed EPC, when maintenance or flight personnel see a trend on the FMA that would warrant servicing of the filter due to operational considerations, such as when the aircraft will be operating in a remote or off-site location without the ability to readily service the filter, the filter may be serviced, or replaced. See filter servicing Section 7.3.
- f. The maximum number of service cycles for the filter assembly (i.e., cleaning/ oiling) is limited to 15 for each filter assembly. The filter assembly includes a data plate that must be scribed to track filter service cycles in accordance with Section 6.2.

7.2.2 PREPARED FIELD OPERATIONS

- a. During typical operations in and out of prepared airfields and landing sites, the IBF filter assembly will not require frequent servicing. DCI recommends that the filter maintenance aid (FMA) be checked about every 25 aircraft operating hours following the first installation and operation of an IBF system on an aircraft. This should be done to gauge the rate of engine performance degradation due to changes in engine inlet differential pressure as the filters accumulate dirt in operations considered “prepared fields” operations. Once an interval of time in flight hours is determined that provide discrete changes in the FMA, this interval can be repeated as long as there is no change in the environmental operating conditions.
- b. This interval can be extended after sufficient flight data has been accumulated to establish a greater interval. Upon seeing increases in T_4 and associated decreases in temperature margin / available power, the inspection interval should again be shortened to about every 25 hours or less to enable scheduling of filter servicing without interruption of normal operations.
- c. Ensure all filter servicing requirements defined in Section 7.2.1 are followed. Refer to Section 7.3 for servicing of the filter assembly.

7.2.3 SEVERE ENVIRONMENT OPERATIONS

- a. When operating in an environment of high sand and dust levels, frequent servicing of the filter assembly may be required based on the time exposure and severity of the environment. Any operations in an environment that can result in “brownout” conditions should therefore be minimized or avoided to the maximum extent possible within the constraints of the operation. During operations for extended periods of time in brownout conditions, monitoring of the FMA between shut down and start up will allow the maintainer or operator to trend the change in differential pressure. Once an interval of time in flight hours is determined that provide discrete changes in the FMA, this interval can be repeated as long as the initial readings remain typical of the current operations.
- b. Ensure all filter servicing requirements defined in Section 7.2.1 are followed. Refer to Section 7.3 for servicing of the filter assembly.

7.3 FILTER ASSEMBLY SERVICING

The filter assembly servicing section defines the procedures for pre-cleaning, cleaning, drying, and oiling the filter media in the filter assembly.

7.3.1 FILTER PRE-CLEANING

- a. Servicing of the filter assembly is determined by the inspection requirements found in Chapter 3.
- b. Prior to any cleaning operation gently brush the dirty side of the filter with a soft bristle brush similar to a soft paintbrush. Remove as much debris as practical from the filter before proceeding to the cleaning procedure.

7.3.2 FILTER CLEANING

CAUTION

DO NOT CLEAN THE DCI FILTER ASSEMBLY WITH GASOLINE, SOLVENTS, PARTS CLEANERS, STRONG DETERGENTS, OR CAUSTIC CLEANING SOLUTIONS.

CAUTION

DO NOT STEAM CLEAN OR USE HIGH-PRESSURE WASHERS TO CLEAN THE DCI FILTER ASSEMBLY.

CAUTION

ANY OF THESE PROCESSES WILL DAMAGE FILTER MEDIA AND/OR THE FILTER FRAMES.

- a. Spray Air Filter Cleaner, see Section 7.1 (b), liberally onto the entire filter media (both sides) until the filter media is thoroughly soaked. If procured in bulk, transfer a smaller quantity to a spray bottle. A spray bottle provides a more uniform distribution of the cleaning agent.
- b. Let the cleaner soak into the contaminants and filter media for 10 minutes. In severe environmental conditions (high dirt/debris) the entire filter may be soaked in cleaner for an extended period of time as needed.
- c. Rinse the filter with low-pressure water. Use water out of a faucet or hose (without nozzle). Rinse in the opposite direction of airflow, i.e., from the clean side to the dirty side. Arrange the filter so the pleats are vertical, and begin to rinse in a gradual side-to-side motion starting at the top and working downward. Adjust the pace to correspond with the cleanliness of the water runoff. As long as the runoff is filled with debris and oil, do not proceed downward.
- d. Upon completion, adjust the filter to rinse from the dirty side to the clean side, pleats still vertical.
- e. Repeat the rinsing procedure once again, until there is no visible debris on the surface and the runoff water is relatively clean.
- f. When finished, flip the filter once again and repeat the rinse from clean side to dirty side.
- g. Finally, rotate the filter from top to bottom, and perform the final rinse until the runoff water is free of all debris and oil.

7.3.3 FILTER DRYING

CAUTION

DO NOT USE COMPRESSED AIR TO DRY THE FILTER ASSEMBLY. IT MAY DAMAGE THE FILTER MEDIA.

CAUTION

DO NOT USE HEAT FROM ANY SOURCE TO DRY THE DCI FILTER ASSEMBLY. HEAT MAY SHRINK THE FILTER MEDIA AND MAY DAMAGE THE CORING MATERIAL WITHIN THE FILTER FRAMES.

- a. After rinsing, shake off the excess water and let the Filter Assembly dry at room or outside air temperature (above freezing).
- b. Ensure dirt or debris does not enter or contact the Filter Assembly while drying.
- c. After the Filter Assembly dries, mark the service cycle on data plate in accordance with the Section 6.2.

7.3.4 FILTER OILING

CAUTION

NEVER PUT A DCI FILTER ASSEMBLY IN SERVICE WITHOUT OILING IT.

CAUTION

USE ONLY A DCI APPROVED OIL

NOTE

A squeeze bottle capable of accurately measuring out 11.2 fluid ounces should be used when applying the oil to the filter assembly as directed below.

- a. The filter will not function properly if other types of oil are used. DCI approved Air Filter Oil is a unique blend of mineral and organic oil base stocks and special polymers that form a very efficient “tack barrier.” Red dye is added to show areas of oil application. Do not use transmission fluid, any kind of motor oil, or diesel fuel to oil the DCI filter. Do not use “WD-40,” “LPS,” or any other type of lightweight spray lubricants to oil the DCI filter. Any of those products will damage the filter or degrade its filtering ability. A squeeze bottle allows for the controlled application of a specific amount of oil to the filter (See Picture 4).
- b. Apply approximately $\frac{3}{4}$ of the 11.2 fluid ounces that is to be applied to a clean, dried Filter Assembly. Gently squeeze a small stream of oil along the entire length of each pleat peak, then flip the filter over and repeat this on the backside. Apply sparingly to ensure coverage of the entire filter.
- c. Let the Filter Assembly sit for 20 minutes as the oil “wicks” into the surrounding filter media. Apply the remaining filter oil to any areas that are still white. Apply all 11.2 ounces of the oil to the filter.



Picture 4: Oiling Filter Media

7.4 STRUCTURAL COMPONENT SERVICING

There are no structural components requiring periodic servicing. See Chapter 6 for inspection requirements and Chapter 8 for maintenance requirements.

7.5 SYSTEMS AND ELECTRICAL SERVICING

There are no system and electrical components requiring periodic servicing. See Chapter 6 for inspection requirements and Chapter 8 for maintenance requirements.

NOTE

The Filter Maintenance Aid is designed to indicate the highest differential pressure across the filter assembly reached during the last flight, and should be reset after servicing of the filter assembly by depressing the yellow button marked “PUSH TO RESET” located on the end of the filter maintenance aid (See Picture 1 & Figure 2).

7.6 ENGINE WATER WASH

NOTE

It is not necessary to remove the IBF filter prior to conducting an engine wash.

It is recommended the engine water wash frequency be in accordance with the current engine manufacturer requirements for operation in a standard environment, desert environment or salt-water environment.

7.7 AIRCRAFT WASHING

During aircraft washing, the IBF system including the filter assembly, should be protected or removed to avoid damaging the filter media with high pressure spray nozzles or to prevent solvents from rinsing away the oil in the filter media.

8 TROUBLESHOOTING AND MAINTENANCE

8.1 MAINTENANCE GENERAL

CAUTION

THOROUGHLY REVIEW AND BECOME FAMILIAR WITH THE APPENDIX A - PARTS FIGURES BEFORE PERFORMING MAINTENANCE ON THE IBF SYSTEM.

NOTE

Except where otherwise indicated, all torque values shall be in accordance with Chapter 7 of FAA Advisory Circular AC 43.13-1B.

- a. The components of the system are divided, generally as a scope of work, into Filter Assembly / Seal, Structural Components, and Systems and Electrical components throughout the manual. Refer to Appendix A for a breakdown of the kit components. The troubleshooting guide in Table 3 provides additional guidance for performing inspections when encountering trouble with the system.
- b. The maintenance chapter is organized by removal, inspection, troubleshooting, adjustment, calibration and / or repair, and installation for the major components noted above, as applicable to the particular component. For some components a functional check is included. Not all components will require adjustment, or calibration, or have any approved functional check or repair procedures. Contact DCI for possible repairs when not listed in this manual. In some cases defective components will require replacement.
- c. In general, visually inspect all structural components for oversized or elongated holes, deformation, cracks, corrosion, missing fasteners or components, fretting, galling, etc. Any component exhibiting these conditions requires repair or replacement.
- d. In general, visually inspect fasteners for damaged or missing threads, in both the bolt or screw and the nut or nut plate. If a self-locking fastener can be fully threaded by hand, replace the self-locking fastener.
- e. In general, visually inspect all electrical connections for security, corrosion, arcing, breakdown of insulation, and overheating. Repair or replace components exhibiting defects. Inspect and repair components per Eurocopter technical manuals or AC 43.13-1, Chapter 11.
- f. In general, check inlet area for foreign object debris before installing filters.
- g. The recommended tightening torque range after installation of WES type captive fasteners is 20 to 25 inch pounds.

8.2 COMPONENTS - GENERAL DESCRIPTION

8.2.1 Filter Assy / Filter Seal

(Refer to Appendix A, Figure A-9)

- a. Filter Assembly - The Filter Assembly is composed of the filter media (stainless steel mesh covering cotton gauze) bonded into the aluminum alloy filter frame assembly.
- b. Filter Seal - The Filter Seal is a silicon sponge that is held in place with adhesive.

8.2.2 Structural Components

(Refer to Appendix A, Figure A-1)

- a. Eurocopter Air Induction Cowling (OEM Equipment) - The EC130B4/EC130T2/AS350B3 Air Induction Cowling is part of the original equipment manufacturer supplied for the EC130B4/EC130T2/AS350B3 helicopter. For description see Eurocopter EC130B4/EC130T2/AS350B3 technical manuals.
- b. Structural Assembly / Bypass Door / Seal - The Bypass Door Assembly consists of a machined aluminum door, a machined aluminum alloy actuator bracket, a military standard (MS) aluminum alloy hinge and steel pin. The Structural Assembly consists of machined aluminum components, bent aluminum sheet metal components, mounting brackets and provisions for mounting the Differential Pressure Switch and Filter Maintenance Aid, and associated MS hardware and other standard aircraft hardware for mounting and installation provisions.

8.2.3 Systems and Electrical Components

(Refer to Appendix A, Figure A-3, A-7 & A-11)

- a. Cockpit Switch/Indicator – This switch serves a dual purpose, it activates the bypass door as well as indicates that the filter is dirty. The switch is a push button type used to open or close the bypass door. The indicator is a split light that when the filter becomes dirty the top half will illuminate “FILTER” and as soon as the bypass door is fully opened the bottom will illuminate “BYPASS”. The construction details of the component do not warrant field maintenance. Repair or servicing of this component requires the component to be sent back to DCI for disposition.
- b. Differential Pressure Switch - The Differential Pressure Switch provides a signal to the Cockpit Indicator for annunciation of the IBF “FILTER” light to signal that the differential pressure across the Filter Assembly has reached a preset value. The construction details of the component do not warrant field maintenance. Repair of this component requires the component to be sent back to DCI for disposition or replacement.
- c. Filter Maintenance Aid - The Filter Maintenance Aid provides an indication to maintenance personnel as to the trend of the differential pressure across the Filter Assembly. The construction details of the component do not warrant field maintenance. Repair of this component requires it to be sent back to DCI for disposition or replacement. The FMA is an aid

to help maintenance personnel and pilots to ascertain the current condition or trend accumulation of dirt on the Filter Assembly.

- d. Actuator - The Actuator is an electro-mechanical device that provides mechanical actuation of the Bypass Door when the cockpit switch is pushed to open or close the bypass door. The construction details of the component do not warrant field maintenance. Repair of this component requires the component to be sent back to DCI for disposition or replacement.
- e. Wiring, Wiring Harness, Connectors, Backshells, Circuit Breaker – The wiring and wiring harness utilizes wire per Military Specification Mil-W-22759/41. The gauge and marking identification is specified on the wiring diagram. The connectors, backshells, and circuit breaker are military specification components, or where applicable, vendor designed components. The construction details of these components (other than wiring) do not warrant field maintenance.

8.3 FILTER ASSY / FILTER SEAL (Refer to Appendix A, Figure A-9)

8.3.1 FILTER ASSY

8.3.1.1 REMOVAL – FILTER ASSY

CAUTION

UPON REMOVAL OF THE FILTER ASSEMBLY, COVER THE ENGINE INLET TO ENSURE IT IS PROTECTED FROM FOREIGN OBJECT DAMAGE (FOD).

- a. Remove the thirteen (13) captive fasteners securing the Filter Assembly to the top of the Intake Cowling.

NOTE

The Filter Assembly must be carefully removed so as not to damage the Filter Seal.

- b. Use a plastic scraper to gently break any seal between the Filter Assembly Seal and the Intake Cowling itself.
- c. Carefully remove the Filter Assembly from the Intake Cowling.
- d. Inspect the Filter Seal. Refer to “Filter Seal” procedures.

8.3.1.2 INSPECTION – FILTER ASSY

NOTE

After servicing of the Filter Assembly or at any time the Filter Assembly is inspected, the pleats may require straightening or crimping. If you cannot see the bottom of the pleat, the airflow will be restricted and/or the pleats will adhere to one another when dirt loaded. Any restriction to the flow through the pleats will result in increased differential pressure and reduction in dirt loading capacity. In order to ensure ideal flow characteristics through the filter media, the pleats must be straightened or crimped with a hand seamer.

- a. Visually inspect the pleats on both sides of the filter. If you cannot see the bottom of the pleat, when sighting the length, or depth of the pleat, straightening of the pleat is required. Refer to “Adjustment” for pleat straightening procedures.
- b. If this inspection is in response to an IBF “FILTER” light indication or failed EPC, perform troubleshooting per Table 3. If troubleshooting indicates a dirty filter, service filter per Section 7.3.
- c. Inspect the Filter Assembly frame for cracks, gouges, distortion or deformation, corrosion, loose or missing fasteners, and missing or deteriorated protective coating. Refer to “Repair” for criteria / disposition.
- d. Inspect the Filter Seal. Refer to “Filter Seal” procedures.

8.3.1.3 TROUBLESHOOTING – FILTER ASSY

See Table 3 for troubleshooting guide.

8.3.1.4 ADJUSTMENT - FILTER

CAUTION

HAND SEAMER MUST BE LIMITED TO A MAXIMUM JAW DEPTH OF 1 1/4 INCH. A DEEPER JAW DEPTH CAN RESULT IN DEFORMATION OR DAMAGE TO THE ADJOINING PLEATS.

CAUTION

DO NOT OVER CRIMP AND CRUSH PLEAT; CARE MUST BE TAKEN TO SQUEEZE THE PLEATS WITHOUT DAMAGING THE PLEATED SCREEN. THE RADIUS AT THE TOP OF THE PLEAT SHOULD REMAIN INTACT, NOT CREASED.

- a. If you cannot see the bottom of a pleat, use a hand seamer (See Special Tools / Special Equipment, Section 8.9 (a)) to crimp the pleat and to straighten the pleat. Sight down the length and depth of the pleat to confirm the pleat is straightened (See Picture 5).
- b. Once one side is crimped, flip the filter over and crimp the other side as required following the guidance above. Use caution not to crush the pleats when straightening them. Use care to maintain the original radius, as much as possible, at the top of the pleat.



Picture 5: Hand Seamer Used to Straighten or Crimp Pleats

8.3.1.5 CALIBRATION

Not applicable.

8.3.1.6 REPAIR - FILTER MEDIA, GENERAL

WARNING

ADHESIVE VAPORS (SUCH AS MAY BE CONTAINED IN SEALING MATERIAL AMS 3276 OR MIL-S- 8802), MAY CAUSE IRRITATION OF EYES, NOSE, AND RESPIRATORY SYSTEM. EYE AND SKIN CONTACT WITH MATERIAL MAY CAUSE IRRITATION. IF INGESTED, MAY CAUSE GASTRIC DISTRESS. FLUSH EYES WITH WATER FOR 15 MINUTES. WASH SKIN WITH SOAP AND WATER. IF INHALED, MOVE TO FRESH AIR. IN ALL CASES GET IMMEDIATE MEDICAL ATTENTION. WORK IN A WELL-VENTILATED AREA. WEAR GLOVES AND SAFETY GLASSES.

NOTE

Repair filter media damage after cleaning but prior to oiling of filters.

8.3.1.7 REPAIR - FILTER MEDIA, SMALL RUPTURES, TEARS, OR HOLES

- a. In the event of damage to the filter media, ruptures in the filter media may be repaired. Small ruptures defined as smaller than .500 inch diameter or length can be sealed without degradation of performance to the Filter Assembly. Up to 8 small ruptures in the filter media may be repaired on a single filter, but no repair may be within 1” of an adjacent repair.
- b. Prior to performing any of these repairs, the filter material must be cleaned of contamination and oil. Refer to Chapter 7 for cleaning the Filter Assembly. Perform the repair to a cleaned and dry Filter Assembly. Each time the entire Filter Assembly is cleaned, repaired, and, where applicable, oiled, a mark shall be scribed on the Filter Assembly data plate in accordance with Section 6.2 indicating a cleaning cycle has been performed.
- c. Trim ruptures, tears, or holes in the filter media up to .500 inches in length or diameter to remove loose material (wire or cotton gauze).
- d. Seal the affected area using two-part Sealant, AMS 3276 or MIL-S-8802. Allow the Sealant to bleed into the filter material and cure. Follow manufacturer’s directions for proper mixing, application, and curing of the two-part Sealant.
- e. Proceed with oiling the filter. Refer to Chapter 7.

8.3.1.8 REPAIR - FILTER MEDIA, LARGE RUPTURES, TEARS, OR HOLES

Larger ruptures exceeding .500 inch in size are not repairable in the field. Contact DCI for disposition and possible repair procedures, or discard the Filter Assembly.

8.3.1.9 REPAIR – FILTER ASSY, OTHER DAMAGE

- a. The repair procedures defined above are for damage resulting in ruptures, tears, or holes in the filter media. The following is for field repairable damage to the Filter Assembly frame. Field repairable damage to the Filter Assembly frame is limited to blending of scratches and gouges, and / or the re-application of protective coatings. See Table 2 for application of protective coatings.
- b. Any damage to the filter frame such as cracking requires the Filter Assembly be returned to DCI for evaluation and disposition or replacement. Any damage to the filter frames such as warping or distortion (to the extent that the Filter Frame, when installed against the Upper Fairing Assembly does not permit the Filter Assembly to sit flush against the Upper Fairing) requires the Filter Assembly be returned to DCI for evaluation and disposition or replacement.

8.3.1.10 INSTALLATION – FILTER ASSY

CAUTION

REMOVE COVER FROM THE ENGINE INLET PRIOR TO INSTALLING THE FILTER ASSEMBLY.

CAUTION

OVER TIGHTENING OF THE FASTENERS MAY RESULT IN THE FASTENER BEING DAMAGED.

- a. Prior to installation of the Filter Assembly, the Filter Seal on the Upper Fairing Assembly shall be visually inspected for security and damage. Carefully position the Filter Assembly in the Upper Fairing Assembly with the two holes forward. Ensure the Filter Assembly seats properly (not cocked, i.e. fits flush) against the Upper Fairing Assembly.
- b. Install the thirteen (13) captive fasteners securing the Filter Assembly to the top of the Intake Cowling.

8.3.2 FILTER SEAL

8.3.2.1 REMOVAL

- a. Gain access to the Filter Seal by removing the Filter Assembly. Refer to Sections 4.3.1 and 8.3.1.
- b. Carefully remove the Seal by peeling it away from the Filter Assembly. Use a plastic scraper or other suitable tool that won't damage the Filter Assembly to peel the Seal from the Filter Assembly. Discard the removed Seal.

8.3.2.2 INSPECTION

Inspect the Filter Seal for any tears, nicks, gouges, missing pieces or a permanent set or flattening of the Seal. If the Seal exhibits any of these conditions, repair or replace the Seal.

8.3.2.3 REPAIR

WARNING

ADHESIVE VAPORS (IN SEALANT SUCH AS RTV 736) MAY CAUSE IRRITATION OF EYES, NOSE, AND RESPIRATORY SYSTEM. EYE AND SKIN CONTACT WITH MATERIAL MAY CAUSE IRRITATION. IF INGESTED, MAY CAUSE GASTRIC DISTRESS. FLUSH EYES WITH WATER FOR 15 MINUTES. WASH SKIN WITH SOAP AND WATER. IF INHALED, MOVE TO FRESH AIR. IN ALL CASES GET IMMEDIATE

**MEDICAL ATTENTION. WORK IN A WELL-VENTILATED AREA.
WEAR GLOVES AND SAFETY GLASSES.**

- a. Small tears, nicks, or gouges in the Seal may be repaired using RTV 736 Sealant or equivalent. Use a wooden tongue depressor, cotton swab, or similar tool to dab a small amount of Sealant on the damage to repair tears, nicks, or gouges in the Seal. Smooth over Sealant to create a smooth flush repair similar to the original Seal cross section. Allow to dry before re-installing filter. If the repair does not allow the Filter Assembly to properly seal against the Adapter replace the Seal.
- b. If the Seal exhibits extensive tears, deep nicks or gouges, or missing pieces that would prevent the filter from properly sealing, replace the Seal.

8.3.2.4 INSTALLATION

- a. Gain access to the Filter Seal. Refer to Sections 4.3.1 and 8.3.1.
- b. To install the Seal, clean bottom surface of Filter Frame, locate and bond Seal in place using Dow Corning RTV 736 or equivalent.

8.4 STRUCTURAL COMPONENTS

8.4.1 EUROCOPTER EC130B4/AS350B3 AIR INDUCTION COWLING

8.4.1.1 REMOVAL

- a. Release Air Induction Cowling tie downs and open cowling.
- b. Disconnect electrical Bypass System Connector.
- c. Remove hinge pin.
- d. Remove Air Induction Cowling from aircraft.

8.4.1.2 INSPECTION

- a. The DCI IBF interfaces the Air Induction Cowling where the Cowling is sandwiched between the Filter and the IBF structure. At these locations inspect for chafing or fretting, elongation of fastener holes, damage to nut plates and fasteners, corrosion, cracking, deformation.
- b. Inspection for the above conditions and any other conditions that may be applicable are defined in the Eurocopter EC130B4, EC130T2, or AS350B3 technical manuals.

8.4.1.3 TROUBLESHOOTING

Not applicable.

8.4.1.4 ADJUSTMENT

Not applicable.

8.4.1.5 CALIBRATION

Not applicable

8.4.1.6 REPAIR

For repairs see Eurocopter EC130B4, EC130T2, or AS350B3 technical manuals.

8.4.1.7 INSTALLATION

- a. Install Eurocopter Air Induction Cowling (Refer to Eurocopter Maintenance Manual as applicable).
- b. Connect Bypass System electrical disconnect.

8.4.2 BYPASS DOOR

(Refer to Appendix A, Figure A-5)

8.4.2.1 REMOVAL

- a. Open Bypass Door.
- b. Remove the hardware attaching the Bypass Door to the Actuator.
- c. Remove the hinge pin that secures the Bypass Door to the Structural Assembly.
- d. Remove the Bypass Door.

8.4.2.2 INSPECTION

- a. Cracking. Visually inspect the Bypass Door Assembly and related parts for cracking using 10x magnifications at the corners, radii, and transitions in part thickness. Any fretting of faying surfaces, such as those at a crack, may emit a black or grey dust or soot like material indicative of a crack. Inspect suspect areas carefully using the 10x magnification. Refer to adjustment / calibration / repair for disposition of cracks in the Bypass Door Assembly or parts.
- b. Reserved.
- c. Protective Coatings. Visually inspect the Bypass Door Assembly and related parts for missing, damaged, or “scratched through” protective coatings. Re-apply protective coatings per Table 2 of this chapter.

- d. Corrosion. Visually inspect the Bypass Door Assembly and related parts for corrosion in accordance with AC 43.13-1, Chapter 6 and Table 2.
- e. Missing, damaged or loose associated components. Visually inspect the Bypass Door Assembly for missing damaged or loose components.

8.4.2.3 TROUBLESHOOTING

Not applicable.

8.4.2.4 CALIBRATION / ADJUSTMENT

Not applicable.

8.4.2.5 REPAIR

- a. Cracks. No un-repaired cracks are allowed in the Bypass Door Assembly. Contact DCI for disposition and possible repairs.
- b. Warping or distortion. Contact DCI for disposition and possible repairs.
- c. Protective Coatings. Re-apply protective coatings per Table 2 of this chapter.
- d. Corrosion. Treat corrosion in accordance with AC 43.13-1, Chapter 6 and Table 2.
- e. Missing, damaged or loose associated components. Replace missing or damaged components, secure loose components.

8.4.2.6 INSTALLATION

- a. Align the hinge on Bypass Door Assembly with the hinge on the Structural Assembly.
- b. Insert hinge pin through both hinge halves.
- c. Make sure the Actuator is fully extended.
- d. Install the hardware attaching the Actuator to the Bypass Door Assembly.

8.4.3 BYPASS DOOR SEAL (Ref. Appendix A, Figures A-5)

8.4.3.1 REMOVAL

- a. Remove Bypass Door Assembly from the Structural Assembly (Refer to Section 8.4.2.1).
- b. Remove the damaged Seal by peeling it away from the Bypass Door. Scrape all sealant and Seal pieces from Bypass Door.

8.4.3.2 INSPECTION

- a. Inspect the Bypass Door Seal for proper compression upon closing of the Bypass Door. The Seal should be uniformly compressed such that when closed on a piece of paper, there should be a restriction when pulling out the paper. There should be no visible gaps around the perimeter of the bypass door. Adjust Bypass Door to attain correct seal compression.
- b. Inspect the Bypass Door Seal for any nicks, gouges, missing pieces or a permanent set or flattening of the Seal. If the Seal exhibits any of these conditions that would prevent the door from properly sealing, replace the Seal.

8.4.3.3 TROUBLESHOOTING

See Table 3 for trouble shooting guidance.

8.4.3.4 ADJUSTMENT / CALIBRATION / REPAIR

Perform adjustment to attain proper seal compression per instructions for Actuator / Bypass Door Adjustment (Refer to Section 8.5.5.4).

8.4.3.5 INSTALLATION

- a. Gain access to the Seal by removing the Bypass Door (Refer to Section 8.4.3.1).
- b. Bond Seal in place on the Bypass Door using RTV-736.
- c. Install Bypass Door.

8.4.4 STRUCTURAL ASSEMBLY

(Refer to Appendix A, Figures A-2, A-3, A-4, A-5, A-6)

8.4.4.1 REMOVAL

- a. Remove Air Inlet Cowling from aircraft. (Refer to Section 8.4.1.1).
- b. Remove the Filter Assembly (Refer to Section 8.3.1.1).
- c. Remove the Bypass Door Closure by removing the twelve (12) MS27039 screws.
- d. Disconnect the electrical connector at the firewall.
- e. Disconnect the hose connected at the firewall.
- f. Remove the hardware attaching the Structural Assembly to the Air Inlet Cowling.
- g. Remove the Structural Assembly.

8.4.4.2 INSPECTION

- a. Cracking. Visually inspect the Structural Assembly for cracking using 10x magnification at the corners, radii, and transitions in part thickness. Any fretting of faying surfaces, such as those at a crack may emit a black or grey dust or soot like material indicative of a crack. Inspect suspect areas carefully using the 10x magnification. Refer to adjustment / calibration / repair for disposition of cracks in the Structural Assembly.
- b. Warping or distortion. Visually inspect the Structural Assembly for distortion. Any warping or distortion causing the Filter Assembly not to seal requires disposition instructions from DCI, or replacement of the component.
- c. Protective Coatings. Visually inspect the Structural Assembly for missing, damaged, or “scratched through” protective coatings. Re-apply protective coatings per Table 2.
- d. Corrosion. Visually inspect the Structural Assembly and related parts for corrosion in accordance with AC 43.13-1, Chapter 6, and Table 2.
- e. Missing, damaged or loose associated components. Visually inspect for missing, damaged, or loose components.

8.4.4.3 TROUBLESHOOTING

Not applicable.

8.4.4.4 ADJUSTMENT / CALIBRATION / REPAIR

- a. Cracks. No crack repair is allowed in the Structural Assembly without disposition from DCI.
- b. Warping or distortion. Contact DCI for disposition and possible repair, or replace component.
- c. Protective Coatings. Visually inspect the Structural Assembly for missing, damaged, or “scratched through” protective coatings. Re-apply protective coatings per Table 4 of this chapter.
- d. Corrosion. Treat corrosion in accordance with AC 43.13-1, Chapter 6, and Table 2.
- e. Missing, damaged or loose associated components. Replace missing, or damaged components. Secure loose components.

8.4.4.5 INSTALLATION

- a. Locate the Structural Assembly inside the top of the Air Inlet Cowling.
- b. Secure the Structural Assembly to the Air Intake Cowling using twelve (12) MS27039C1-13 screws and NAS1149C0316R washers.

- c. Locate the Bypass Door Closure Assy on the top of the Air Intake Cowling over the Bypass Door.
- d. Secure to the Structural Assembly using twelve (12) MS27039C1-13 screws and NAS1149C0316R washers.

8.5 SYSTEMS AND ELECTRICAL COMPONENTS

8.5.1 COCKPIT SWITCH/INDICATOR (Refer to Appendix A, Figure A-11 & Picture 2)

8.5.1.1 REMOVAL

- a. Gain access to the back of the instrument panel.
- b. Remove connector at back of Cockpit Switch / Indicator.
- c. Remove Cockpit Switch / Indicator cover.
- d. Turn lug ¼ turn counter clockwise to unlock Cockpit Switch / Indicator from panel.
- e. Slide Cockpit Switch / Indicator out of panel.
- f. Tag and secure wiring.

8.5.1.2 INSPECTION

- a. Inspect Cockpit Switch/Indicator for proper functioning. Refer to Section 8.5.2.5, and to Table 3 for troubleshooting.
- b. Inspect Cockpit Indicator for security, damage, overheating, corrosion, or distortion. Replace defective component or contact DCI for disposition.

8.5.1.3 TROUBLESHOOTING

See Table 3 for troubleshooting guide.

8.5.1.4 ADJUSTMENT / CALIBRATION / REPAIR

Not applicable. Contact DCI for disposition of defective component or replace.

8.5.1.5 FUNCTION CHECK – “BYPASS” INDICATION

CAUTION

THIS PROCEDURE INTRODUCES THE POSSIBILITY OF ENGINE FOD.

- a. Verify the Bypass Door is closed and aircraft electric power is ON.
- b. Depress Cockpit Switch / Indicator to open the Bypass Door.
- c. The word “BYPASS” should illuminate on the lower part of the Cockpit Switch / Indicator segment when the door reaches the full open position.
- d. Verify the Bypass Door is open.
- e. Depress the Cockpit Switch / Indicator again to close the Bypass Door.
- f. The word “BYPASS” should extinguish on the lower part of the Cockpit Switch / Indicator segment.
- g. Verify the Bypass Door is closed and aircraft electric power is OFF.

8.5.1.6 FUNCTION CHECK – “FILTER” INDICATION

- a. Perform Differential Pressure Switch function check per Section 8.5.2.5.
- b. Verify Cockpit Switch / Indicator “FILTER” amber light illuminates.

8.5.1.7 INSTALLATION

- a. Slide Cockpit Switch / Indicator into panel opening in correct orientation.
- b. Open switch cover. Turn lug ¼ turn clockwise to lock Cockpit Switch / Indicator into panel.
- c. Attach connector at rear of Cockpit Switch / Indicator.
- d. Perform Cockpit Switch / Indicator Function Check.

8.5.2 DIFFERENTIAL PRESSURE SWITCH

(Refer to Appendix A, Figures A-3 & A-11)

8.5.2.1 REMOVAL

- a. Gain access to the area below the Bypass Door.
- b. Remove hoses, fittings, and attaching hardware from the Differential Pressure Switch.
- c. Disconnect and secure electrical connector.
- d. Remove Differential Pressure Switch.

8.5.2.2 INSPECTION

Inspect for general serviceability, damage, corrosion, and missing components. Inspect the attaching hardware for security.

8.5.2.3 TROUBLESHOOTING

See Table 3 for troubleshooting guidance.

8.5.2.4 ADJUSTMENT / CALIBRATION / REPAIR

NOTE

If problems are suspected with the differential pressure switch, disconnect the supply line connecting the pressure switch to the static port and clean and flush the line and static port.

The construction details of the component do not warrant field maintenance beyond that noted above. Repair of this component requires the component to be sent back to DCI for disposition.

8.5.2.5 FUNCTION CHECK

CAUTION

THIS PROCEDURE INTRODUCES THE POSSIBILITY OF ENGINE FOD.

CAUTION

IMPROPER USE OF THE ALTIMETER TEST SET COULD RESULT IN DAMAGE TO THE SWITCH AND/OR SWITCH CALIBRATION.

CAUTION

PULLING AN ALTITUDE OF GREATER THAN 1880 FEET ABOVE FIELD ELEVATION WILL DAMAGE THE DIFFERENTIAL PRESSURE SWITCH.

- a. Gain access the DP low pressure static port below the Bypass Door.
- b. Connect the low pressure calibrator or altimeter test set to the plenum side of the DP switch by slipping a piece of 3/16 inch ID vinyl tubing over the end of the differential pressure switch static port. Ensure that the fit between the tube and the static port is tight, i.e. no leakage.

- c. Ensuring that aircraft electrical power is ON, operate the test set to an indicated altitude above the field elevation and gradually increase altitude. The differential pressure switch should actuate and send a signal to the Cockpit Indicator illuminating the IBF “FILTER” light within the following range:

Test Method	Test Station Elevation (ft)					
	0	2000	4000	6000	8000	10000
Low Pressure Calibrator (inches of H ₂ O)	9.0 ± 0.9					
Altimeter Test Set (ft above test station elevation)	620 ± 60 ft	660 ± 60 ft	700 ± 70 ft	740 ± 70 ft	790 ± 80 ft	840 ± 80 ft

- d. If the Cockpit Indicator does not illuminate, pull IBF circuit breaker. Run the altimeter test set up to top of the range, check for continuity across the terminals of the Differential Pressure Switch. If continuity is present, the Differential Pressure Switch function is acceptable, and the rest of the circuit is suspect. Upon completion of testing, ensure that aircraft electrical power is OFF. Refer to Table 3.

Warning

Applying a vacuum greater than 221 in-H₂O (8 psi) may result in damaging the DP switch.

- e. This will functionally check both the differential pressure switch and the IBF “FILTER” Cockpit Indicator.

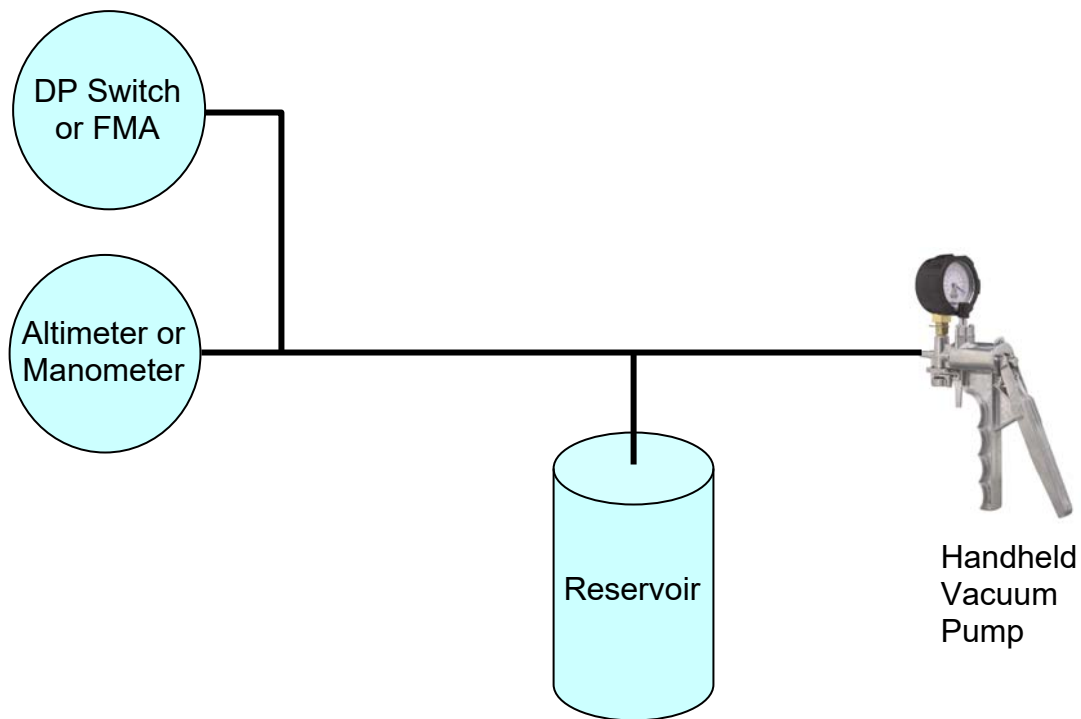


Figure 4: Test Equipment Setup



Picture 6: Test Setup with Manometer

8.5.2.6 INSTALLATION

- a. Remove the floor closeout on the bottom of the structural assembly. (Refer to Section 4.3)
- b. Properly orient the Differential Pressure Switch in the Clamp below the Door.
- c. Attach hoses, fittings, and attaching hardware.
- d. Connect and secure connector.
- e. Perform Function Check of Differential Pressure Switch (Refer to Section 8.5.2.5).

8.5.3 Filter Maintenance Aid

(Refer to Picture 1 & Figure 2 and Appendix A, Figures A-1 and A-7)

8.5.3.1 REMOVAL

- a. Disconnect Tube Assembly from Filter Maintenance Aid.
- b. Remove hardware and retainer from Filter Maintenance Aid.

- c. Remove Filter Maintenance Aid.

8.5.3.2 INSPECTION

- a. Inspect the Filter Maintenance Aid and associated mounting for discoloration affecting readability, cracks, deformation, missing or damaged components, and serviceability.
- b. Inspect the Filter Maintenance Aid Plenum Tube Assembly for debris and insure that the tube is clear and unobstructed.
- c. Inspect the associated components, such as the Mount Assembly and hardware for missing components, cracks, distortion or deformation, scratches or gouges, or missing protective coatings.

8.5.3.3 TROUBLESHOOTING

See Troubleshooting Guide, Table 3.

8.5.3.4 CALIBRATION / REPAIR

The construction details of the component do not warrant field maintenance. Repair of this component requires the component to be sent back to DCI for disposition, or replacement.

8.5.3.5 ADJUSTMENT

The Filter Maintenance Aid is designed to hold the highest differential pressure across the filter assembly reached during the last flight and can be reset by depressing the yellow button marked "PUSH TO RESET" located on the end of the filter maintenance aid (See Figure 2).

8.5.3.6 REPAIR

- a. The construction details of the component do not warrant field maintenance. Repair of this component requires the component to be sent back to DCI for disposition, or replaced.
- b. If the Filter Maintenance Aid fails the function check, disconnect the plenum tube assembly from the Filter Maintenance Aid, and inspect for damage or blockage of the tube assembly. Inspect the opening on the Filter Maintenance Aid for obstructions. Remove obstructions as required. Reattach tube assembly and perform function check (Refer to Section 8.5.3.7). If it fails function check, replace FMA.
- c. Replace damaged sheet metal components of the mount assembly and missing or damaged hardware.
- d. Re-apply corrosion protection to mount hardware per Table 2.

8.5.3.7 FUNCTION CHECK

CAUTION

THIS PROCEDURE INTRODUCES THE POSSIBILITY OF ENGINE FOD.

CAUTION

IMPROPER USE OF THE ALTIMETER TEST SET COULD RESULT IN DAMAGE TO THE FILTER MAINTENANCE AID.

CAUTION

IMPROPER USE OF THE ALTIMETER TEST SET SUCH AS PULLING AN ALTITUDE OF GREATER THAN 1880 FEET ABOVE FIELD ELEVATION WILL DAMAGE THE FILTER MAINTENANCE AID.

- a. Connect the Barfield (or equivalent) altimeter test set vacuum system to the plenum tube assembly, by slipping a piece of 3/16 inch ID vinyl tubing over the end of the tube assembly. Ensure that the fit between the tubing and tube assembly is tight, i.e., no leakage.
- b. Reset the Filter Maintenance Aid by depressing the yellow button marked “PUSH TO RESET” located on the end of the filter maintenance aid (See Picture 1).
- c. The maintenance aid should indicate in the red zone within the following range:

Test Method	Test Station Elevation (ft)					
	0	2000	4000	6000	8000	10000
Low Pressure Calibrator (inches of H ₂ O)	9.0 ± 0.9					
Altimeter Test Set (ft above test station elevation)	620 ±60 ft	660 ±60 ft	700 ±70 ft	740 ±70 ft	790 ±80 ft	840 ±80 ft

8.5.3.8 INSTALLATION

- a. Position the Filter Maintenance Aid into the mount assembly.
- b. Install hardware and connect Tube Assembly.

8.5.4 ACTUATOR

(Refer to Appendix A, Figures A-5 & A-11)

8.5.4.1 REMOVAL

- a. Remove the floor closeout in the bottom of the structural assembly.
- b. Remove hardware attaching the Actuator to the Bypass Door.
- c. Remove hardware attaching the Actuator to the Actuator Support.
- d. Disconnect and secure electrical connector at Actuator.
- e. Remove Actuator.

8.5.4.2 INSPECTION

- a. Inspect Actuator for cracks, damage, serviceability, corrosion, and security of installation.
- b. Inspect the connector for damage, security, corrosion and serviceability.
- c. Inspect the Bypass Door contact to the Bypass Door Seal. The Seal should be evenly compressed to approximately 15% of its non-compressed cross-section with no visible gaps. Use care not to damage the seal when checking for gaps / compression of the Seal. Refer to Adjustment if Seal compression is discrepant.

8.5.4.3 TROUBLESHOOTING

- a. Refer to Table 3 for troubleshooting guidance.
- b. Perform Function Check. If Function Check indicates a discrepancy with the Actuator replace the actuator.

8.5.4.4 ADJUSTMENT

- a. Clear the area of the Bypass Door of any tools, hardware, or other obstructions.
- b. After ensuring that aircraft power is ON, press the Cockpit Switch/Indicator to command the Actuator to open the bypass door (this fully extends the actuator rod). If not, contact DCI for disposition or replace actuator.
- c. Remove hardware from Actuator rod end at Bypass Door.

CAUTION

TO PREVENT INTERNAL DAMAGE TO THE ACTUATOR, HOLD THE ROD END WHILE LOOSENING, TIGHTENING, OR APPLYING TORQUE TO THE JAMB NUT.

CAUTION

INSTALL THE ACTUATOR BOLT TO THE BYPASS DOOR CLEVIS PLATE IN THE CORRECT ORIENTATION. FAILURE TO CORRECTLY INSTALL THE BOLT WILL RESULT IN DAMAGE TO THE BYPASS DOOR AND ACTUATOR.

- d. Loosen jamb nut and adjust rod end in or out, as required, one-half turn to attain greater or less Seal compression to the Bypass Door.
- e. Temporarily re-install rod end bolt through the Bypass Door Clevis Plate (washers do not need to be installed until final adjustment is complete). Move IBF BYPASS Cockpit Switch to the CLOSED position to retract the Bypass Door. The Seal should be uniformly compressed approximately 15% of its non-compressed cross-section with no visible gaps. Use care not to damage the seal when checking for gaps / compression of the Seal. Refer to Adjustments if Seal compression is discrepant.
- f. Repeat steps b through e until the Seal is compressed correctly.
- g. Permanently install hardware to attach the Actuator rod end to the Bypass Door Clevis Plate. Torque jamb nut 25 TO 30 INCH-POUNDS. Torque nut 30 TO 40 INCH-POUNDS.
- h. Perform function check per Section 8.5.5.7.
- i. Move IBF BYPASS Cockpit Switch to the CLOSED position to close the Bypass Door and then ensure that aircraft power is OFF.

8.5.4.5 CALIBRATION

Not applicable.

8.5.4.6 REPAIR

- a. Repair of the actuator is limited to removal of minor surface corrosion from the actuator shaft using very fine grade sandpaper (400-600 grit) or crocus cloth (Table 4).
- b. Damage to the actuator, such as cracking of the attachment lug, distortion, warping, or failure to actuate requires disposition by DCI or replacement.
- c. The Actuator rod end and attachment hardware can also be replaced if they are damaged, corroded, or unserviceable. Replace the Actuator rod end by loosening the jamb nut and removing / replacing the rod end. Perform the Actuator / Bypass Door Adjustment procedure per Section 8.5.4.4.

8.5.4.7 FUNCTION CHECK

- a. Gain access to the area below the Bypass Door (Refer to Sections 4.3 & 4.3), and clear the area of any tools, hardware, or other obstructions.
- b. With aircraft power ON, push the IBF BYPASS Cockpit Switch in to actuate the Actuator to open the bypass door (this fully extends the actuator rod). Verify the Bypass Door opens until the slope of the door is slightly beyond the slope of the filter.
- c. Push the IBF BYPASS Cockpit Switch in and verify that the bypass door is closed.
- d. Perform seal compression inspection and verify the seal is uniformly compressed to approximately 15% of its non-compressed cross-section with no visible gaps around the perimeter of the bypass door.
- e. Ensure aircraft power is OFF.
- f. If conditions are not met refer to Troubleshooting guide, Table 3, and Adjustment procedures, Section 8.5.4.4.

8.5.4.8 INSTALLATION

CAUTION

THIS PROCEDURE INTRODUCES THE POSSIBILITY OF ENGINE FOD.

CAUTION

TO PREVENT INTERNAL DAMAGE TO THE ACTUATOR, HOLD THE ROD END WHILE LOOSENING, TIGHTENING, OR APPLYING TORQUE TO THE JAMB NUT.

CAUTION

INSTALL THE ACTUATOR BOLT TO THE BYPASS DOOR CLEVIS PLATE IN THE CORRECT ORIENTATION. FAILURE TO CORRECTLY INSTALL THE BOLT WILL RESULT IN DAMAGE TO THE BYPASS DOOR AND ACTUATOR.

- a. Remove the floor closeout from the underside of the structural assembly. (Refer to Section 4.3)
- b. Clear the area of the Bypass Door of any tools, hardware, or other obstructions.

- c. Install the connector to the Actuator. Ensure aircraft power is ON. Move the IBF BYPASS Cockpit Switch to the OPEN position to fully extend the Actuator rod to bypass door open position.
- d. Orient actuator to the Bypass Door and Actuator Support.
- e. Install hardware attaching the Actuator to the Actuator Support.
- f. Temporarily install the bolt attaching the Actuator to the Bypass Door Clevis Plate.
- g. Perform Actuator / Bypass Door Adjustment procedure (See Sections 8.5.4.4).
- h. Confirm the permanent installation of hardware securing the Actuator rod end to the Bypass Door Clevis Plate and that aircraft power is OFF.

8.5.5 WIRING, WIRING HARNESS, CONNECTORS, BACKSHELLS, CIRCUIT BREAKER, RELAY

(Refer to Appendix A, Figure A-4 & A-11)

8.5.5.1 REMOVAL

- a. Prepare aircraft for electrical system work by disconnecting the battery.
- b. Remove hardware, clamps and spiral wrap from component, as applicable. Tag interfacing components for later installation. Remove affected components.

8.5.5.2 INSPECTION

The IBF wiring, wiring harness and associated components are constructed of standard aircraft wire and connectors. Standard aircraft maintenance procedures should be used for inspections and repair of the harness and connectors. Routine aircraft maintenance should include visual inspection for evidence of chafing, damage, corrosion and insuring the circuit breaker and all pins, connectors, and backshells are secure. Inspect wiring, wiring harness and associated components per AC 43.13-1, Chapter 11.

8.5.5.3 TROUBLESHOOTING

- a. See Table 3 for troubleshooting guidance.
- b. See Appendix A, Figure A-11 for wiring diagram, wire marking and identification, routing, and installation information.

8.5.5.4 ADJUSTMENT / CALIBRATION

Not applicable.

8.5.5.5 REPAIR

Standard aircraft maintenance procedures should be used for repair of the wiring, wire harness and associated components. See Appendix A, Figure A-11 for wiring diagram, wire marking and identification, routing, and installation information. Perform repairs to affected components per AC 43.13-1, Chapter 11.

8.5.5.6 INSTALLATION

- a. Prepare aircraft for work performed on the electrical system by disconnecting the battery.
- b. Install affected component using appropriate hardware. Connect wiring per wiring diagram. Install clamps, spiral wrap and heat shrink as applicable to affected components per AC 43.13-1, Chapter 11.

8.6 FASTENER LISTING

Refer to Appendix A – Parts Figures for a listing of fasteners and their location.

8.7 PROTECTIVE TREATMENT

- a. The IBF system is composed primarily of aluminum alloy materials, except for standard hardware components and fasteners, and vendor components. Aluminum components are coated with an epoxy primer. Scratched or damaged aluminum components should be touched up with a small paint brush. Prepare epoxy primer per manufacturer's instructions.
- b. Aircraft finishes scratched or damaged should be recoated with the finish specified in the aircraft maintenance records and maintenance manual.
- c. For the systems and electrical components, there are no protective treatments specified. Contact DCI for disposition of damaged components, or replace the damaged component.

Component	Material	Limits of Damage	Protective Treatment
Filter Assembly	Alum. Alloy Sheet Stk.	Scratches, pitting, gouges must be less than 20% of part thickness. See note 1.	Alodine and Re-apply Epoxy Primer Ref Table 4
Bypass Door Assembly			
Bypass Door	Alum. Alloy Sheet Stk.	Scratches, pitting, gouges must be less than 20% of part thickness. See note 1.	Alodine and Re-apply Epoxy Primer Ref Table 4
Actuator Bracket	Alum. Alloy Sheet Stk.	Scratches, pitting, gouges must be less than 20% of part thickness. See note 1.	Alodine and Re-apply Epoxy Primer Ref Table 4
Filter Maintenance Aid Bracket	Alum. Alloy Sheet Stk.	Inspect for Serviceability	Alodine and Re-apply Epoxy Primer Ref Table 4
Filter Adapter Frame Assembly	Alum. Alloy Sheet Stk.	Scratches, pitting, gouges must be less than 20% of part thickness. See note 1.	Alodine and Re-apply Epoxy Primer Ref Table 4

Table 2: Protective Treatment for Components

Notes:

1. Contact DCI for disposition instructions for components with more severe discrepancies or replace component.

8.8 TROUBLESHOOTING GUIDE

The following table defines the probable cause, remedy, and ICA reference to the applicable procedure for correcting the trouble listed in the table. Multiple failures are not addressed in this table such as a failed actuator and failed wiring existing at the same time.

ITEM	TROUBLE	PROBABLE CAUSE	REMEDY	ICA REF
1	IBF FILTER light fails to illuminate	Faulty connector Faulty circuit Faulty cockpit indicator Faulty delta P switch	Check connectors to aircraft power, cockpit indicator and delta P switch. Check circuit continuity and repair circuit. Verify using caution light press-to-test; replace cockpit indicator light bulb. Replace differential pressure switch.	Para. 8.5.5. Para. 8.5.5. Para. 8.5.1. Para. 8.5.2.
2	IBF FILTER light is dim	Failed bulb in indicator	Verify using caution light press-to-test; replace cockpit indicator light bulb.	Para. 8.5.1.
3	IBF FILTER light stays illuminated	Bypass obstructed Faulty delta P switch	Clear bypass path. Replace differential pressure switch.	N/A Para. 8.5.2.
4	IBF Bypass door fails to close	Actuator misrigged Faulty connector Faulty circuit Faulty cockpit switch Faulty actuator	Check actuator rigging. Check connectors to aircraft power, cockpit switch and actuator. Check circuit continuity and repair circuit. Check switch continuity in CLOSED position; repair or replace cockpit switch. Replace actuator.	Para. 8.5.4. Para. 8.5.5. Para. 8.5.5. Para. 8.5.1. Para. 8.5.4.
5	IBF Bypass door fails to open	Actuator misrigged Faulty connector Faulty circuit Faulty cockpit switch Faulty actuator	Check actuator rigging. Check connectors to aircraft power, cockpit switch and actuator. Check circuit continuity and repair circuit. Check switch continuity in OPEN position; repair or replace cockpit switch. Replace actuator.	Para. 8.5.4. Para. 8.5.5. Para. 8.5.5. Para. 8.5.1. Para. 8.5.4.
6	IBF FILTER light illuminates	Obstructed inlet Dirty filter	Clear engine inlet. Check FMA & inspect filter; service filter.	N/A Para. 7.3.
7	Engine fails PAC	Obstructed inlet Dirty filter	Clear engine inlet. Verify EPC results, check FMA, & inspect filter; service filter. NOTE: If engine still fails EPC - check engine.	N/A Para. 7.3.
8	IBF FILTER fails to dim	Faulty aircraft dimmer circuit	Check aircraft dimmer circuit for caution/warning panel per Eurocopter manual.	N/A
9	IBF FILTER fails to brighten	Faulty aircraft dimmer circuit	Check aircraft dimmer circuit for caution/warning panel per Eurocopter manual.	N/A

Table 3: Troubleshooting Guide

8.9 SPECIAL TOOLS / SPECIAL EQUIPMENT

NOTE

Standard Aircraft Mechanic Tools are not listed.

- a. Hand Seamer with 1 1/4 inch maximum jaw depth – Required for straightening of the filter assembly pleats. Hand seamers are available through many commercial aircraft supply stores and also through commercial heating and air conditioning supply stores. Recommend the following: Malco Tools “Hand Seamer with Forged Steel Jaw”, Catalog # S2, S3 and S6. The S3 model is also available through Wicks Aircraft Supply, Part Number TP44-0, “Offset Hand Seamer”.
- b. Barfield or Equivalent Manufacturer Altimeter Test Set – Required for Function Check of the Differential Pressure Switch and Filter Maintenance Aid.

8.9.1 CONSUMABLE MATERIALS, SUPPLIES, AND PROTECTIVE TREATMENT SPECIFICATIONS

Item	Description	Spec / Part No.
Consumables		
1	Sealant	AMS 3276
2	Sealant	Mil-S-8802
3	Sealant	RTV 736
4	Sandpaper 400-600 grit	Commercial avail.
5	Crocus Cloth	Commercial avail.
Supplies		
6	Air Filter Oil	11.2 oz. squeeze bottle – 100100-112
6.1	Air Filter Oil	1 gal. container – 100101-000
7	Air Filter Cleaner	1 gal. container – 100201-000
7.1	Air Filter Cleaner	5 gal. container – 100205-000
7.2	Air Filter Cleaner	25 liter or 6.6 gallon – Zok 27
Protective Treatment Specs		
8	Epoxy Primer.	MIL-PRF-23337
9	Chemical Conversion Coating	MIL-C-5541 (One commercial trade name, “Alodine”)
10	Aircraft Finish	See Aircraft Records for appropriate Finish / Top Coat.

Table 4: Consumable Materials, Supplies and Protective Treatment Specifications

9 ICA APPENDIX A – ILLUSTRATED PARTS BREAKDOWN

TABLE OF CONTENTS

Figure A-1: IBF (IBF S/N 1 – 87)	A-2
Figure A-2: IBF (IBF S/N 88 and sub.)	A-4
Figure A-3: Instl - AFT LWR Cover Assembly	A-6
Figure A-4: Differential Pressure Switch Installation	A-8
Figure A-5: Instl – Wire Harness and Hose Assembly	A-10
Figure A-6: Instl – Bypass Mechanism	A-12
Figure A-7: Structure Sub-Assembly	A-14
Figure A-8: Instl – Filter Maintenance Aid	A-16
Figure A-9: Bypass Door Closure Assembly	A-18
Figure A-10: Filter Assembly	A-19
Figure A-11: Assy – Sand Filter Ejector Cover (IBF S/N 1 – 87).....	A-21
Figure A-12: Instl – Sand Filter Ejector Cover (IBF S/N 88 and sub.)	A-22
Figure A-13: EC130B4 and AS350B3 Electrical Installation and Schematic (IBF S/N 1 – 87).....	A-23
Figure A-14: EC130B4 and AS350B3 Electrical Installation and Schematic (IBF S/N 88 and sub.) ...	A-25
Figure A-15: EC130T2 Electrical Installation and Schematic	A-27

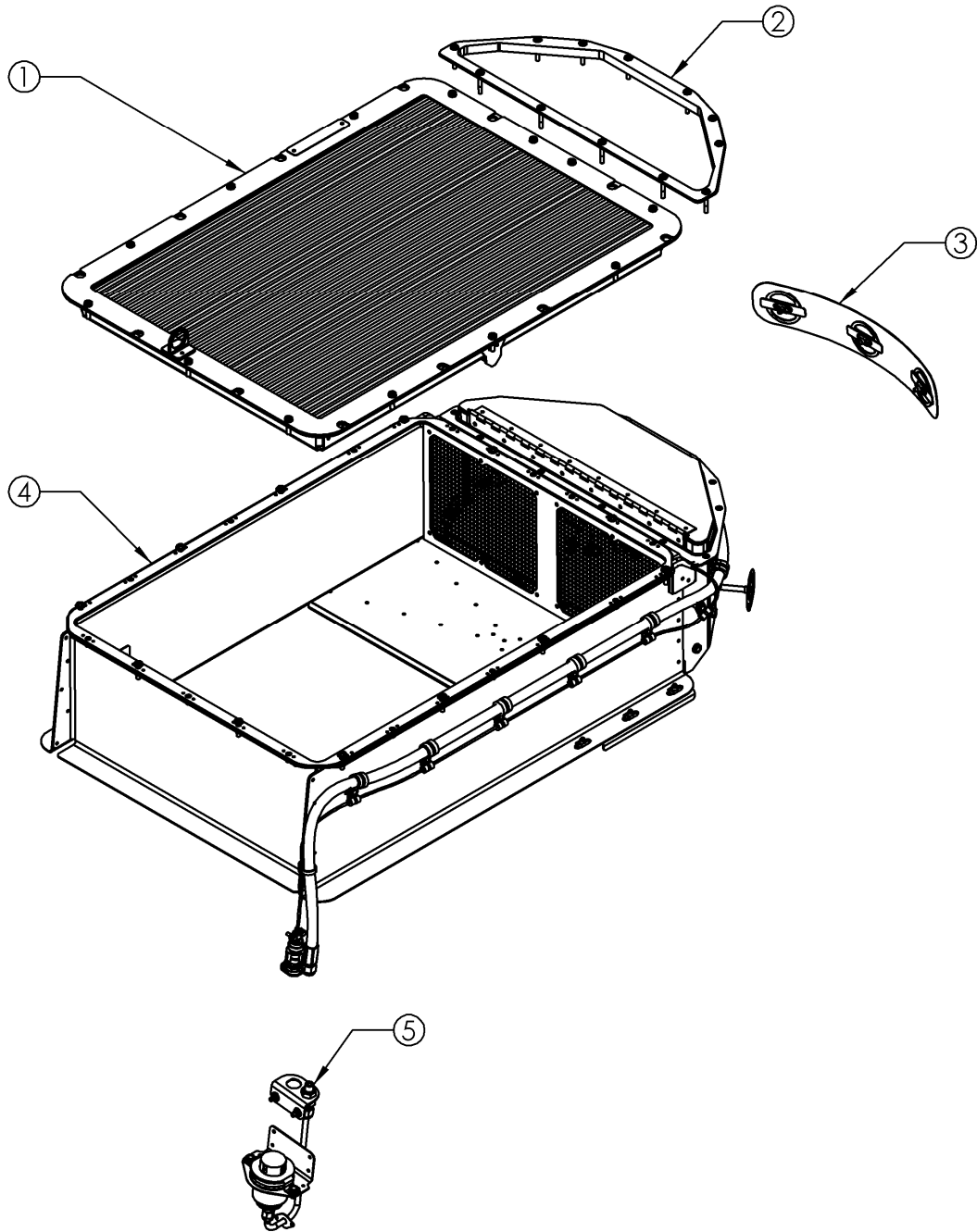


Figure A-1: IBF (IBF S/N 1 – 87)

INDEX NUMBER	PART NUMBER	ITEM NAME	UNIT PER ASSY	AVAIL
		FIGURE A-1: IBF (IBF S/N 1 - 87)		
	121000-101	EC130 IBF Kit	REF	
1	121300-101	Assy - Filter (See Figure A-7 for breakdown)	1	P
1	121300-103	Assy - Filter (Optional replacement for 121300-101)	1	P
	121001-101	Installation - IBF, System, EC 130	REF	
2	121240-101	Assy - Closure, Bypass Door (See Figure A-10 for breakdown)	1	P
3	121650-101	Assy - Cover, PS, Aft (Optional) (See Figure A-9 for breakdown)	1	P
4	121003-101	Assy - Structural (See Figure A-2 for breakdown)	1	P
5	121500-101	Assy - Indicator, Maintenance (See Figure A-6 for breakdown)	1	P
		AVAIL CODE DEFINITION		
		P Procurable		
		NP Non Procurable		
		SP Normal stock/procurable		

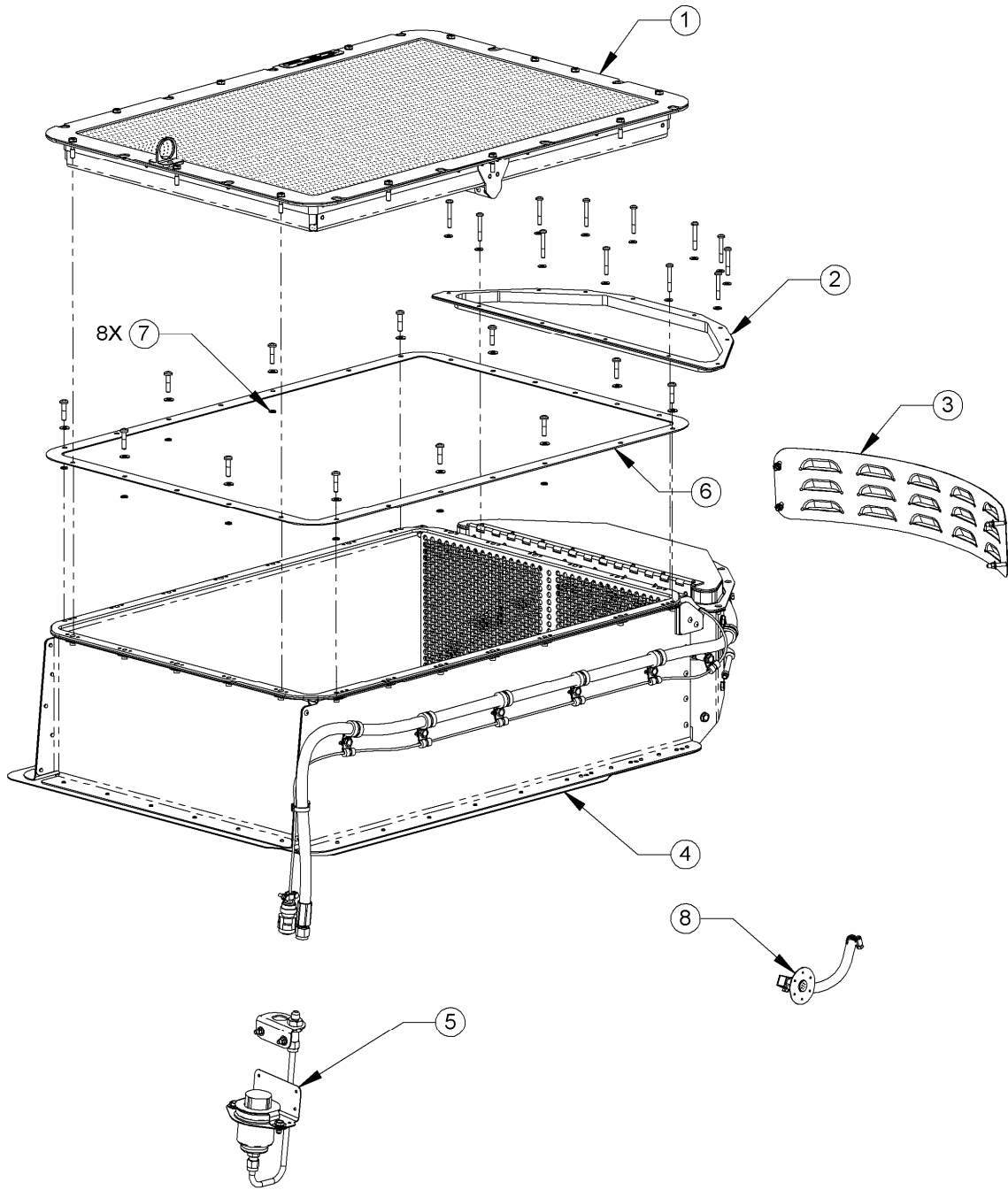


Figure A-2: IBF (IBF S/N 88 and sub.)

INDEX NUMBER	PART NUMBER	ITEM NAME	UNIT PER ASSY	AVAIL
		FIGURE A-2: IBF		
	121000-101	EC130 IBF Kit	REF	
1	121300-101	Filter Assembly (See Figure A-9 for breakdown)	1	P
1	121300-103	Filter Assembly (Optional replacement for 121300-101)	1	P
	121001-101	Installation - IBF, System, EC 130	REF	
2	121240-101	Assy - Closure, Bypass Door (See Figure A-8 for breakdown)	1	P
3	121650-101	Assy - Cover, PS, AFT (Optional) (See Figure A-10 for breakdown)	1	P
4	121003-101	Assy - Structural (See Figure A-6 for breakdown)	1	P
5	121500-101	Assy - Indicator, Maintenance (See Figure A-7 for breakdown)	1	P
6	121309-201	Spacer, Filter	1	P
7	121311-201	Spacer (not required)	8	P
8	121282-101	Assy - Tube, IBF Static Port		
		AVAIL CODE DEFINITION		
		P Procurable		
		NP Non Procurable		
		SP Normal stock/procurable		

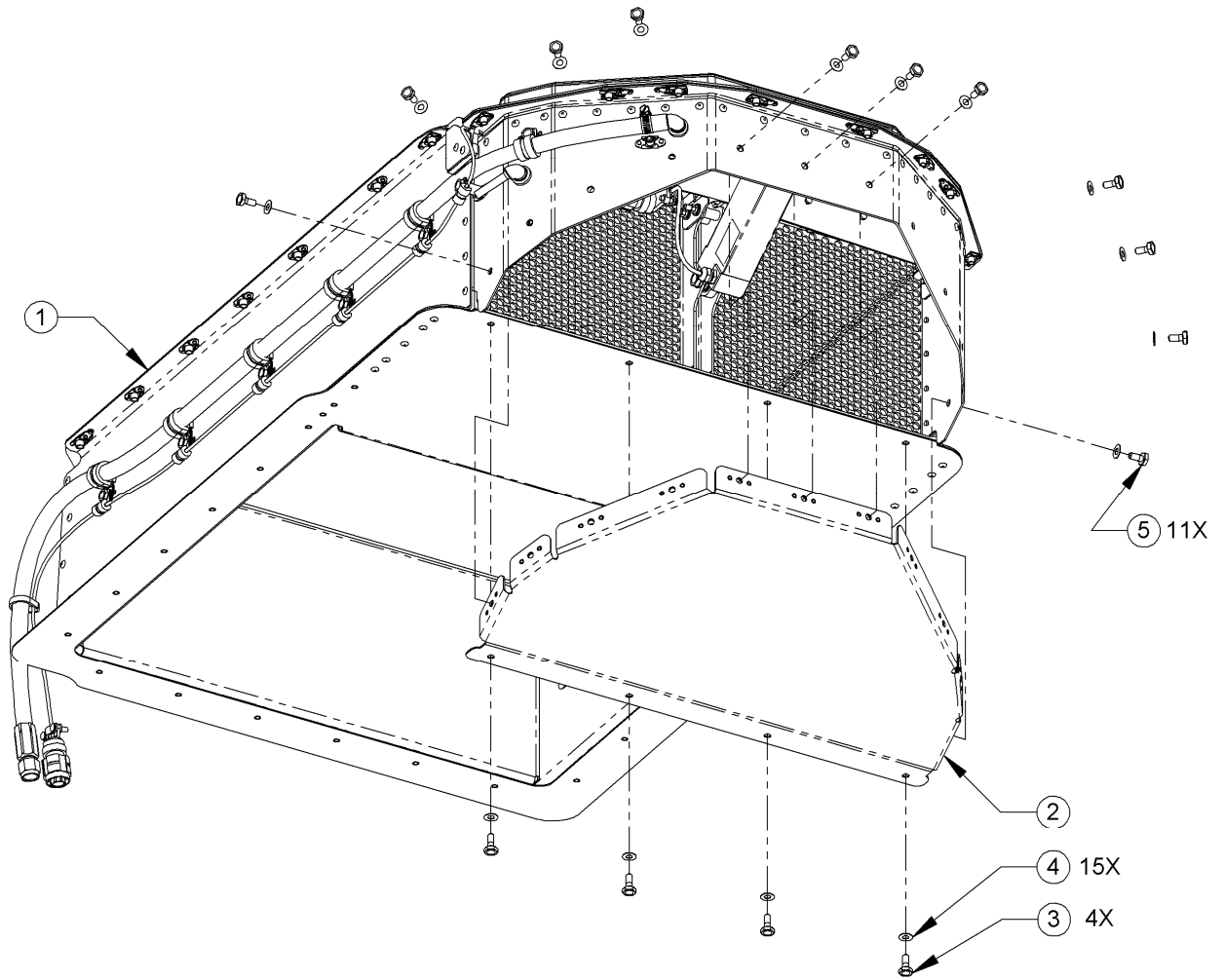


Figure A-3: Instl - AFT LWR Cover Assembly

INDEX NUMBER	PART NUMBER	ITEM NAME	UNIT PER ASSY	AVAIL
		FIGURE A-3: Instl - AFT LWR Cover Assembly		
	121003-101	Structural Assy	REF	
1	N/A	Structure Sub-Assy See Figure A-6	1	NP
2	121130-101	Assy - Access Cover	1	P
3	NAS6203-3	Bolt	4	SP
4	NAS1149D0316J	Washer	15	SP
5	NAS6203-2	Bolt	11	SP
		AVAIL CODE DEFINITION		
		P Procurable		
		NP Non Procurable		
		SP Normal stock/procurable		

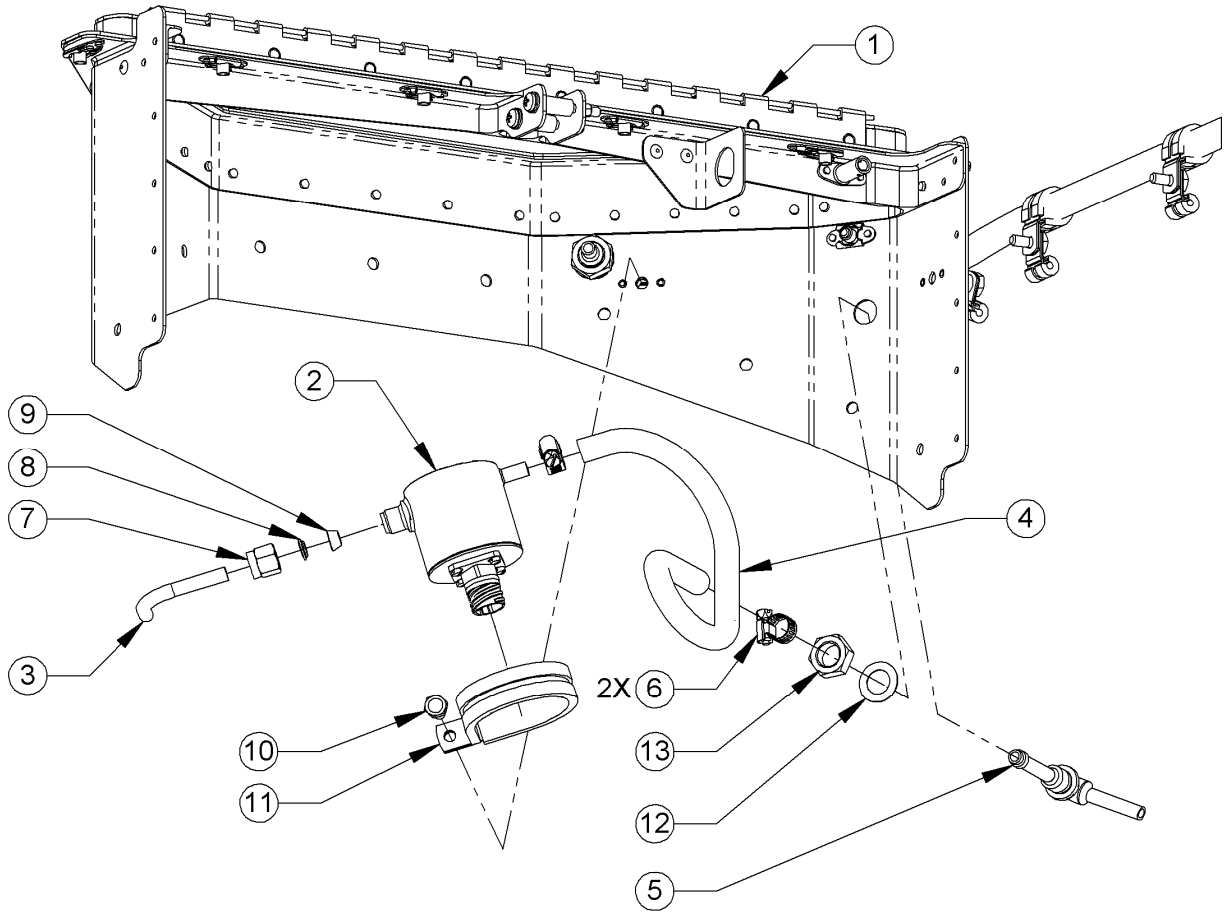


Figure A-4: Differential Pressure Switch Installation
(structure and wire harness not shown for clarity)

INDEX NUMBER	PART NUMBER	ITEM NAME	UNIT PER ASSY	AVAIL
		FIGURE A-4: Differential Pressure Switch Installation		
	121003-101	Kit - Structural, EC130	REF	
1	N/A	Structure Sub-Assy (See Figure A-6 for breakdown)	1	P
2	106114-201	Differential Pressure Switch	1	P
2	100409-101	Differential Pressure Switch (Optional replacement for 106114-201)	1	P
3	121262-201	Tube, Ambient - Delta P	1	P
4	121263-201	Tube - Delta P	1	P
5	121166-203	Fitting	1	P
6	3604	Hose Clamp	2	SP
7	A402-1	Nut	1	SP
8	A404-1	Back Ferrule	1	SP
9	A403-1	Front Ferrule	1	SP
10	NAS6203-3	Bolt	1	SP
11	MS21919WDG28	Clamp	1	SP
12	NAS1149D0716J	Washer	1	SP
13	AN924-4D	Jam Nut	1	SP
AVAIL CODE DEFINITION				
P Procurable				
NP Non Procurable				
SP Normal stock/procurable				

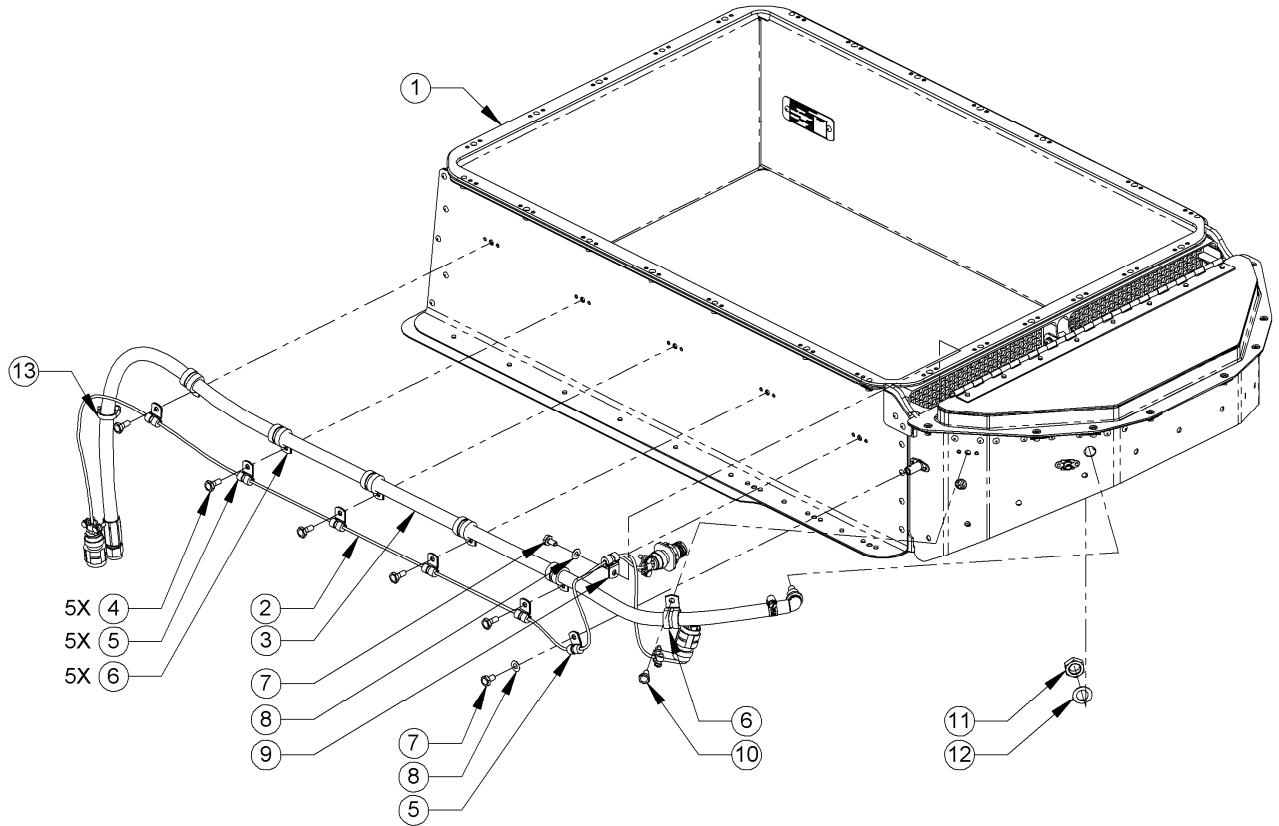


Figure A-5: Instl – Wire Harness and Hose Assembly

INDEX NUMBER	PART NUMBER	ITEM NAME	UNIT PER ASSY	AVAIL
		FIGURE A-5: Kit - Structural, EC 130		
	121003-101	Kit - Structural, EC 130	REF	
1	N/A	Structural Sub-Assy (See Figure A-6 for breakdown)	1	P
2	121400-101	Wire Harness	1	P
3	121550-101	FMA Assy	1	P
4	NAS6203-3	Bolt	5	SP
5	MS21919WDG2	Clamp	6	SP
6	MS21919WDG8	Clamp	5	SP
7	NAS6203-1	Bolt	1	SP
8	NAS1149D0316J	Washer	2	SP
9	MS21919WDG3	Clamp	1	SP
10	NAS6203-2	Bolt	1	SP
11	AN924-4D	Jam Nut	1	SP
12	NAS1149D0716J	Washer	1	SP
13	MS3367-1-9	Wire Strap	1	SP
		AVAIL CODE DEFINITION		
		P Procurable		
		NP Non Procurable		
		SP Normal stock/procurable		

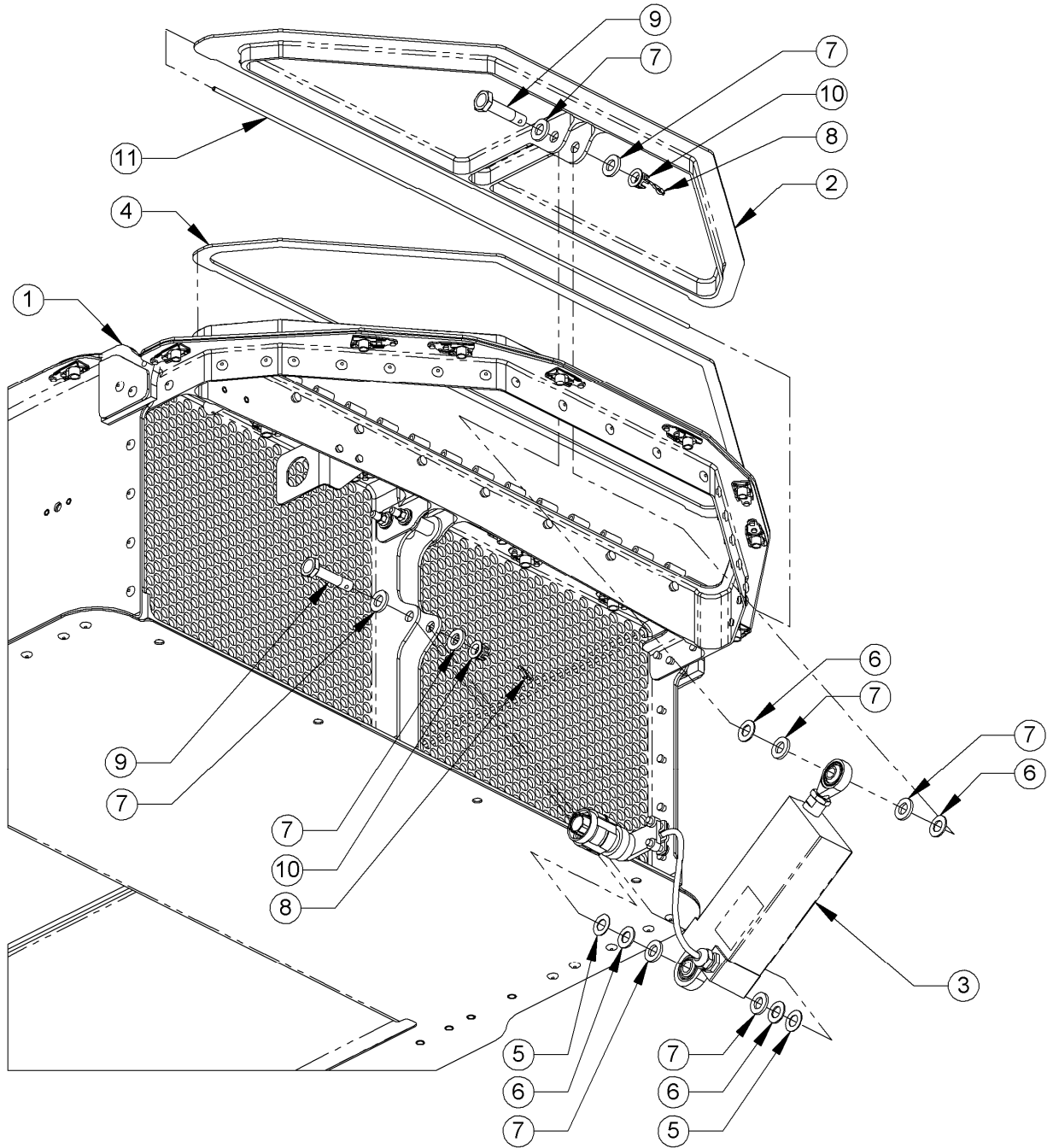


Figure A-6: Instl – Bypass Mechanism
(AFT closeout not shown for clarity)

INDEX NUMBER	PART NUMBER	ITEM NAME	UNIT PER ASSY	AVAIL
		FIGURE A-6: Instl - Bypass Mechanism		
	121003-101	Kit - Structural, EC130	REF	
1	N/A	Structure Sub-Assy (See Figure A-6 for breakdown)	1	P
2	121200-101	Bypass Door Assy	1	P
3	106113-205	Actuator	1	P
4	121208-201	Seal - Bypass Door	1	P
5	NAS1149C0416R	Washer	2	SP
6	NAS1149C0432R	Washer	8	SP
7	NAS1149C0463R	Washer	4	SP
8	MS24665-132	Cotter Pin	2	SP
9	NAS6203-13D	Bolt	2	SP
10	MS14414L4	Bolt	2	SP
11	A-A-55486-21490L	Hinge Pin	1	SP
		AVAIL CODE DEFINITION		
		P Procurable		
		NP Non Procurable		
		SP Normal stock/procurable		

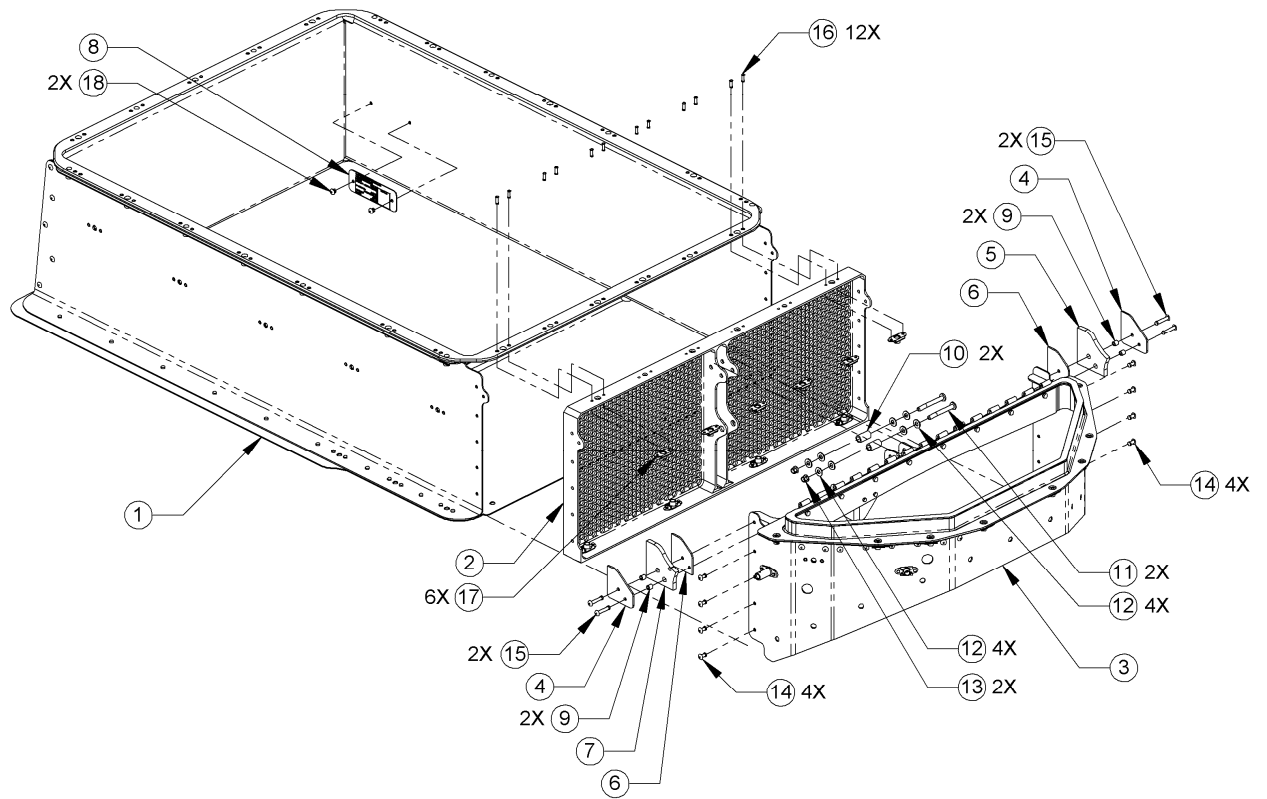


Figure A-7: Structure Sub-Assembly

INDEX NUMBER	PART NUMBER	ITEM NAME	UNIT PER ASSY	AVAIL
		FIGURE A-7: Structure Sub-Assy		
	N/A	Structure Sub-Assy	REF	
1	121150-101	Assy - Engine Interface Plenum	1	P
2	121250-101	Assy - Aft Machining	1	P
3	121275-101	Assy - Bypass Door Closure	1	P
4	121157-201	Plate - Seal, OUTBD	2	P
5	121158-201	Seal - Side Closure, RH	2	P
6	121161-201	Plate - Seal, INBD	1	P
7	121164-201	Seal - Side Closure, LH	1	P
8	121212-201	Data Plate	1	P
9	NAS42DD4A-12FC	Spacer	4	SP
10	NASDD3-37FC	Spacer	2	SP
11	MS27039-822	Bolt	2	SP
12	NAS1149DN832J	Washer	8	SP
13	MS21042L04	Nut	2	SP
14	MS20470AD4-6	Rivet	8	SP
15	MS20470AD4-12	Rivet	4	SP
16	NAS1097AD3-6	Rivet	12	SP
17	MS21059L3	Platenut	6	SP
18	MS20470AD4-4	Rivet	2	SP
		AVAIL CODE DEFINITION		
		P Procurable		
		NP Non Procurable		
		SP Normal stock/procurable		

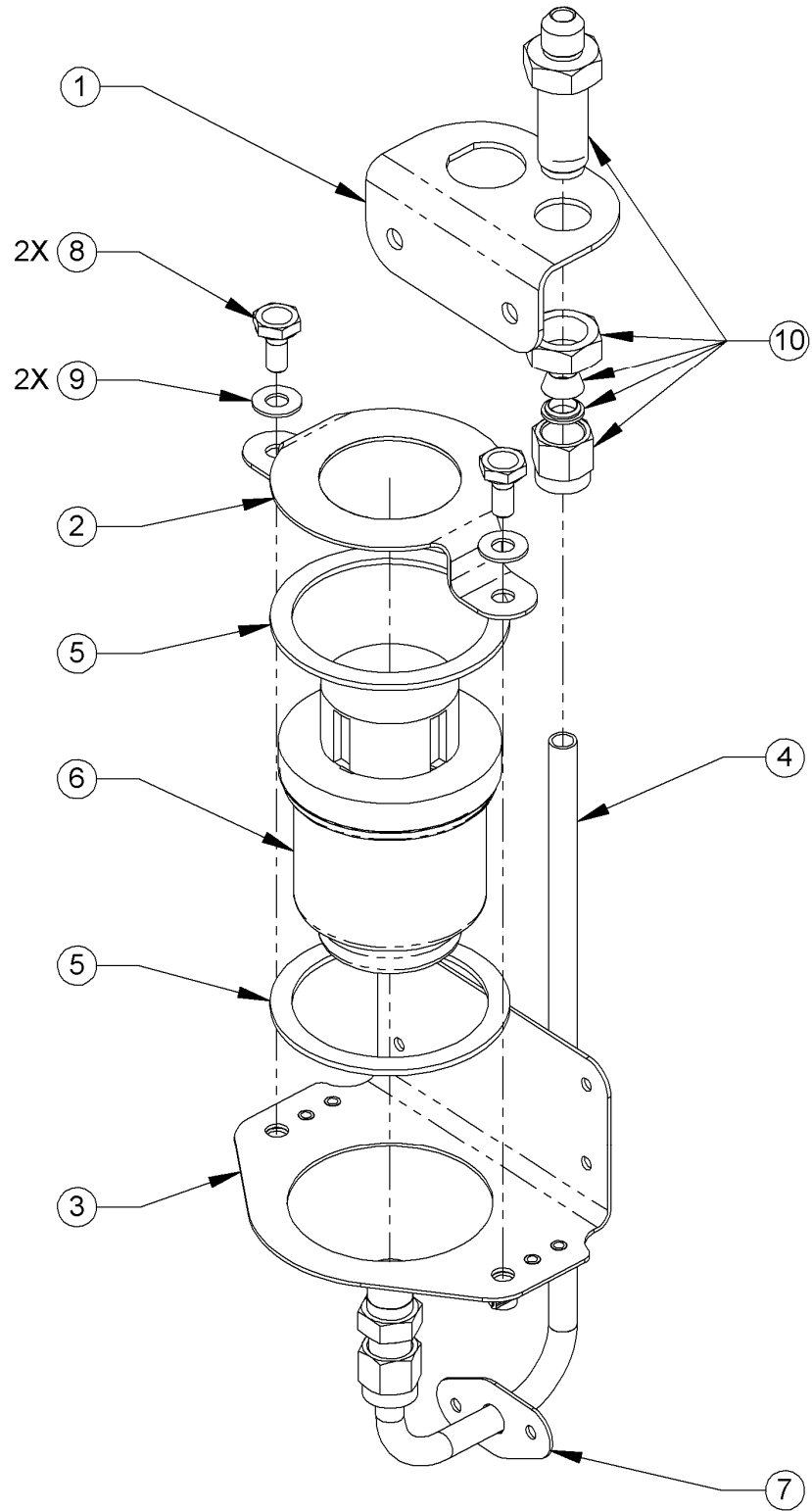


Figure A-8: Instl – Filter Maintenance Aid

INDEX NUMBER	PART NUMBER	ITEM NAME	UNIT PER ASSY	AVAIL
	121500-101	FIGURE A-8: Instl - Filter Maintenance Aid Assy - Indicator, Maintenance	REF	
1	121168-201	Bracket - FMA Tube	1	P
2	121541-101	Retainer - Indicator, Maintenance	1	P
3	121542-201	Mount - Indicator, Maintenance	1	P
4	121552-101	Assy - Tube, Indicator, Maintenance	1	P
5	121543-201	Cushion	2	P
6	104441-201	Indicator, Maintenance	1	P
7	121510-201	Seal - Firewall	1	P
8	NAS6203-2	Bolt	2	SP
9	NAS1149D0332J	Washer	2	SP
10	SS-400-61-4AN	Bulkhead Fitting	1	P
<p>AVAIL CODE DEFINITION</p> <p>P Procurable NP Non Procurable SP Normal stock/procurable</p>				

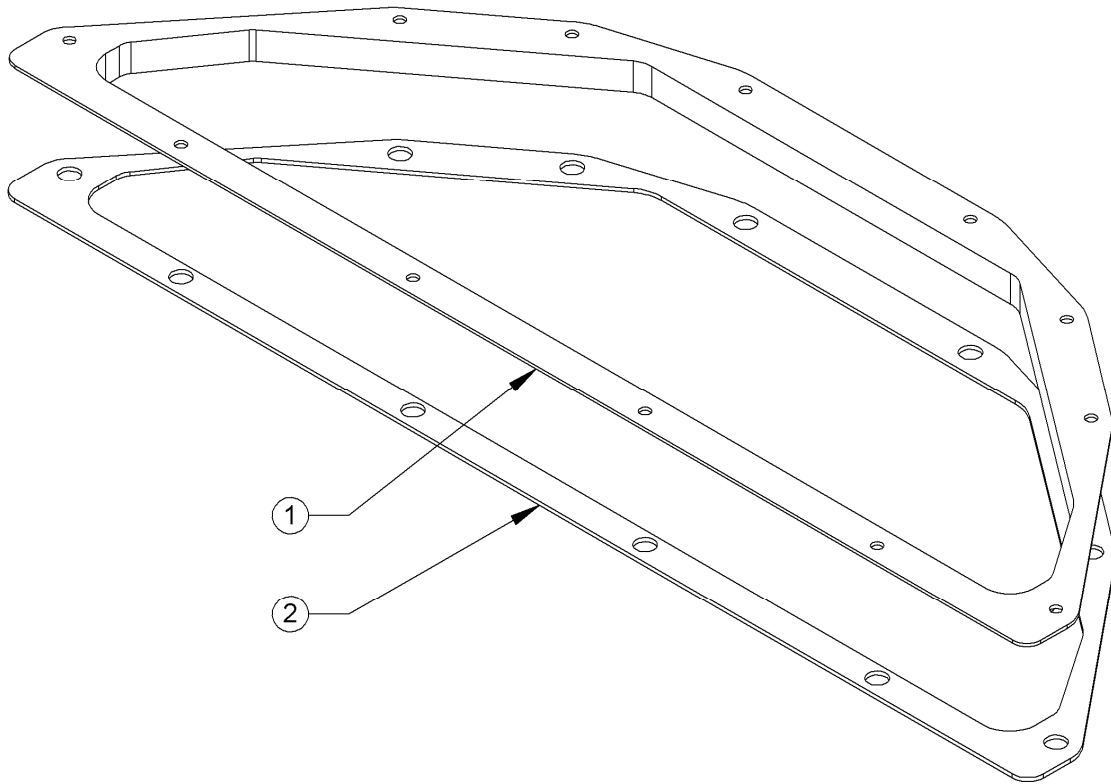


Figure A-9: Bypass Door Closure Assembly

INDEX NUMBER	PART NUMBER	ITEM NAME	UNIT PER ASSY	AVAIL
		FIGURE A-9: Bypass Door Closure Assembly		
	121240-101	Assy - Closure, Bypass Door, OML	1	P
1	121203-201	Bypass Door Closure - OML	1	P
2	121204-201	Bypass Door Closure - OML Seal	1	P
AVAIL CODE DEFINITION				
	P	Procurable		
	NP	Non Procurable		
	SP	Normal stock/procurable		

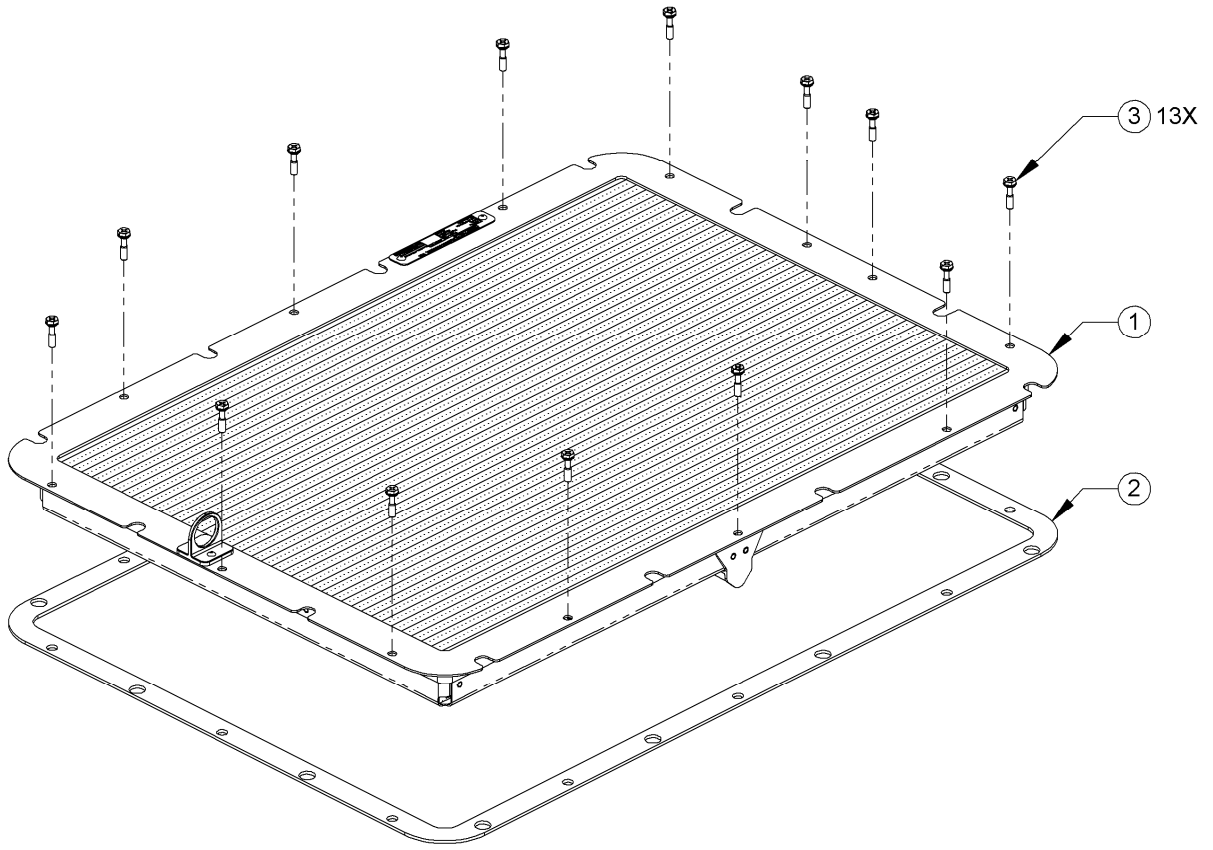


Figure A-10: Filter Assembly

INDEX NUMBER	PART NUMBER	ITEM NAME	UNIT PER ASSY	AVAIL
		FIGURE A-10: Filter Assembly		
	121300-101	Filter Assembly	REF	
	121300-103	Filter Assembly (Optional Replacement for 121300-101)	REF	
1	N/A	Filter	1	P
2	121302-201	Seal	1	SP
3	WES7900-10-A-13	Captive Fastener	13	SP
AVAIL CODE DEFINITION				
		P Procurable		
		NP Non Procurable		
		SP Normal stock/procurable		

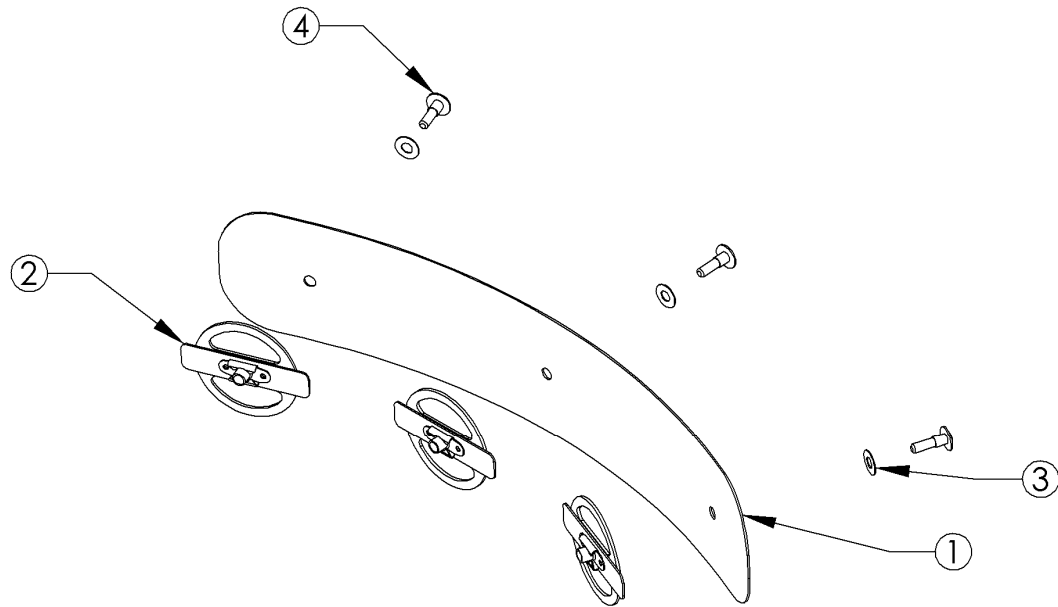


Figure A-11: Assy – Sand Filter Ejector Cover (IBF S/N 1 – 87)

INDEX NUMBER	PART NUMBER	ITEM NAME	UNIT PER ASSY	AVAIL
		FIGURE A-11: Assy - Sand Filter Ejector Cover		
	121650-101	Assy - Cover, PS, Aft	1	P
1	121601-201	Cover - PS, Aft	1	P
2	121615-101	Assy - Aft Machining	3	P
3	121275-101	Bolt	3	SP
4	121160-101	Washer	3	SP
AVAIL CODE DEFINITION				
	P	Procurable		
	NP	Non Procurable		
	SP	Normal stock/procurable		

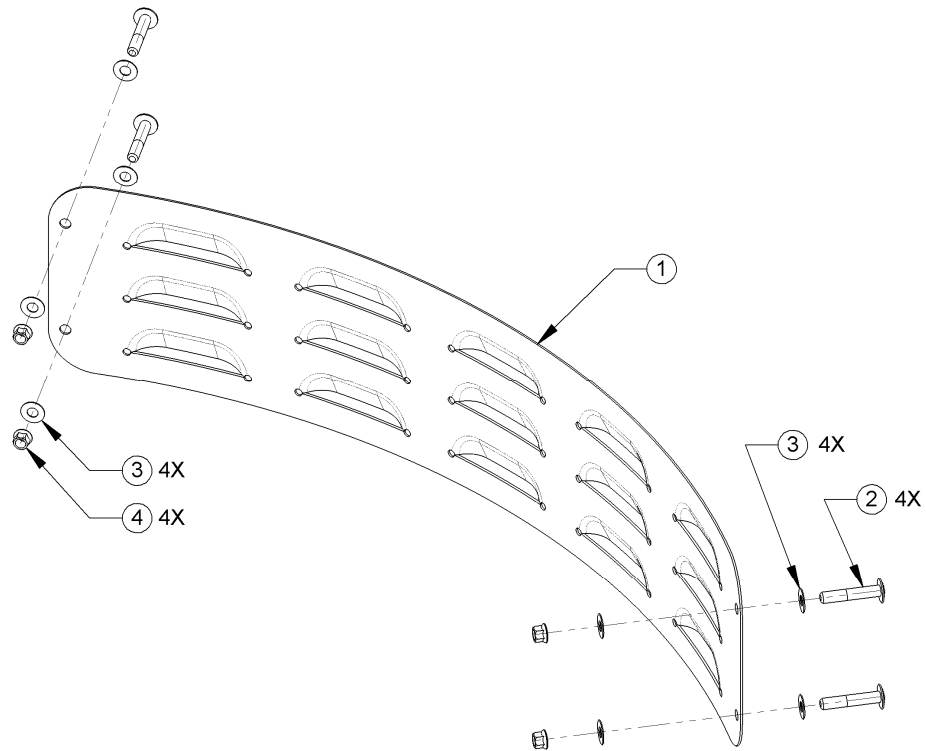


Figure A-12: Instl – Sand Filter Ejector Cover (IBF S/N 88 and sub.)

INDEX NUMBER	PART NUMBER	ITEM NAME	UNIT PER ASSY	AVAIL
		FIGURE A-12: Instl - Sand Filter Ejector Cover		
	121650-101	Assy - Cover, PS, AFT	1	P
1	121601-201	Cover - PS, AFT	1	P
2	AN525-832R15	Screw	4	SP
3	NAS1149DN816J	Washer	8	SP
4	MS21042L08	Nut	4	SP
		AVAIL CODE DEFINITION		
		P Procurable		
		NP Non Procurable		
		SP Normal stock/procurable		

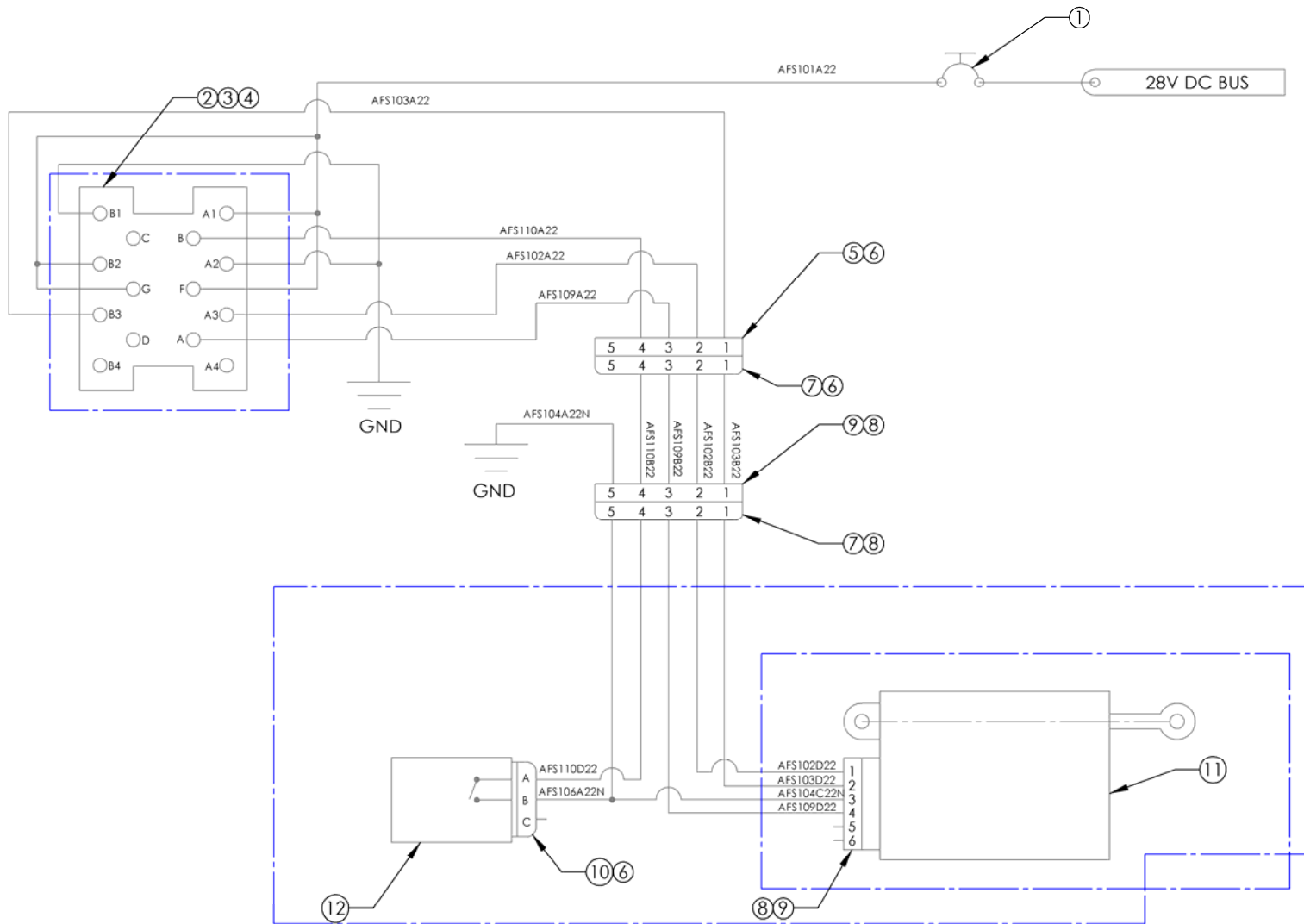


Figure A-13: EC130B4 and AS350B3 Electrical Installation and Schematic (IBF S/N 1 – 87)

INDEX NUMBER	PART NUMBER	ITEM NAME	UNIT PER ASSY	AVAIL
		FIGURE A-13: Electrical Installation and Schematic		
	N/A	Electrical System - IBF and Aircraft Interface	REF	
1	MS26574-3	Circuit Breaker	1	SP
2	LED-42-15-BB-36064	Switch/Indicator	1	SP
3	18-200	Quick Connector	1	SP
4	M39029/22-192	Pin	10	SP
5	D38999/20WA35SN	Electrical Connector	1	P
6	M85049/39S9W	Backshell	3	SP
7	D38999/26WA35PN	Electrical Connector	2	P
8	M85049/38S9W	Backshell	3	SP
9	D38999/24WA35SN	Electrical Connector	2	SP
10	D38999/26WA98SA	Electrical Connector	1	SP
11	106113-205	Actuator	1	SP
12	106114-201	Differential Pressure Switch	1	SP
AVAIL CODE DEFINITION				
P Procurable				
NP Non Procurable				
SP Normal stock/procurable				

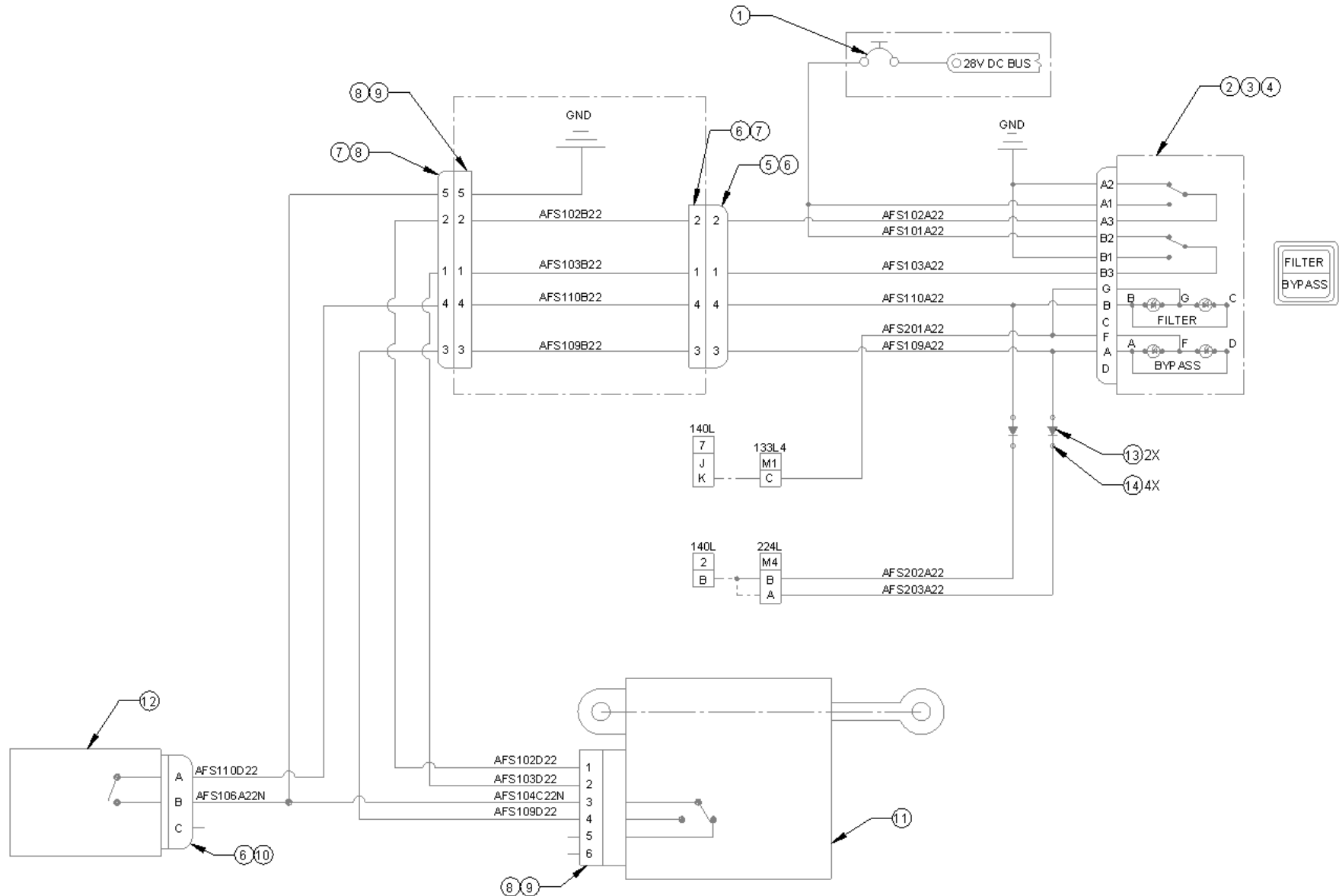


Figure A-14: EC130B4 and AS350B3 Electrical Installation and Schematic (IBF S/N 88 and sub.)

INDEX NUMBER	PART NUMBER	ITEM NAME	UNIT PER ASSY	AVAIL
		FIGURE A-14: EC130B4 and AS350B3 Electrical Installation and Schematic		
	N/A	Electrical System - IBF and Aircraft Interface	REF	
1	MS26574-3	Circuit Breaker	1	SP
2	LED-42-15-BB-36064 LED-42-25-BB-31493* LED-42-15-KB-36066* LED-42-25-KB-36065*	Switch/Indicator	1	P
3	18-200	Quick Connector	1	SP
4	M39029/22-192	Pin	10	SP
5	D38999/20WA35SN	Electrical Connector	1	SP
6	M85049/39S9W	Backshell	3	SP
7	D38999/26WA35PN	Electrical Connector	2	SP
8	M85049/38S9W	Backshell	3	SP
9	D38999/24WA35SN	Electrical Connector	2	SP
10	D38999/26WA98SA	Electrical Connector	1	SP
11	106113-205	Actuator	1	P
12	106114-201 100409-101*	Differential Pressure Switch	1	P
13	E0536-01**	Diode	2	SP
14	EN3155-016M2020**	Pin	4	SP
AVAIL CODE DEFINITION				
P Procurable				
NP Non Procurable				
SP Normal stock/procurable				
* Acceptable Substitute				
** Optional for AS350B3				

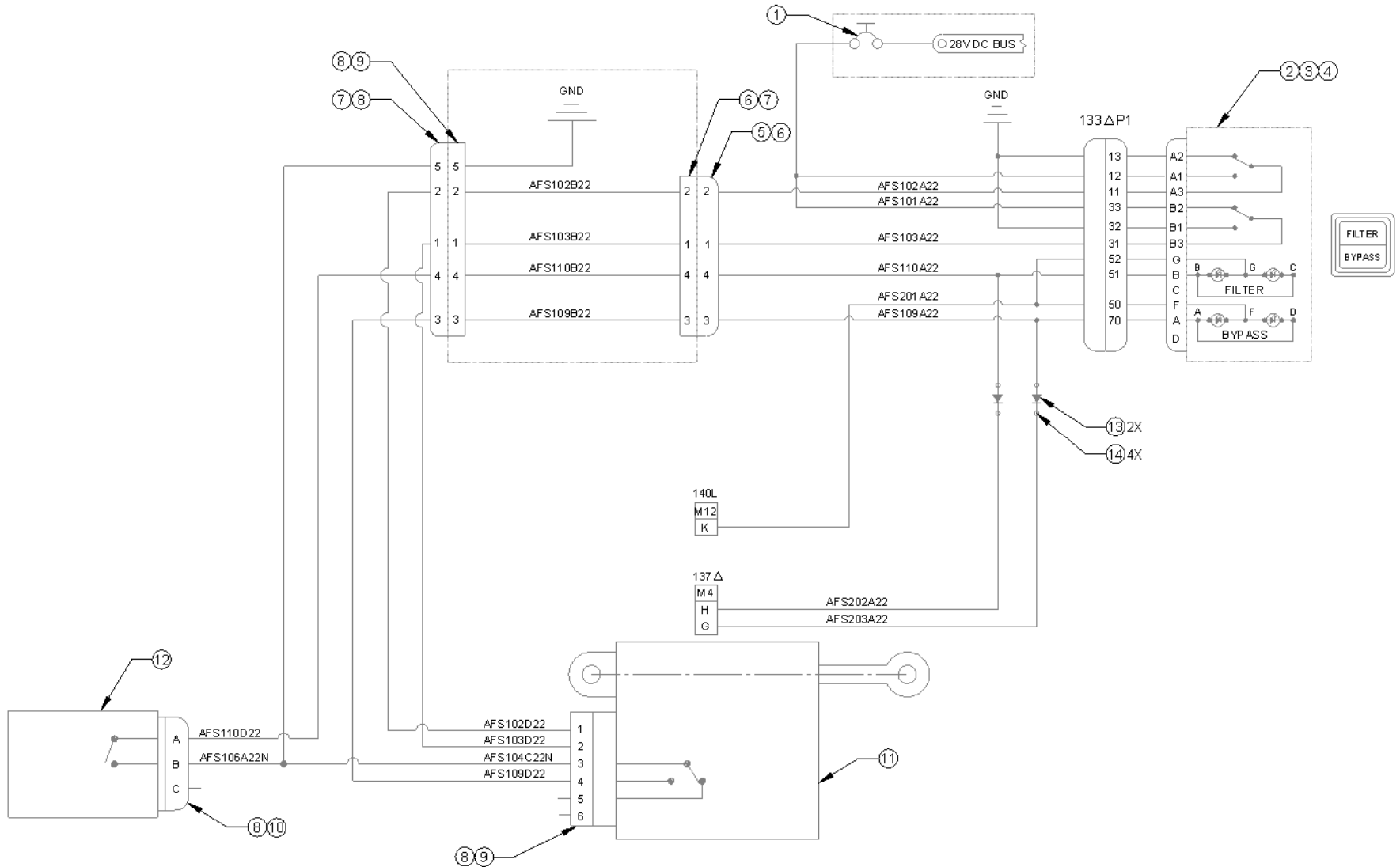


Figure A-15: EC130T2 Electrical Installation and Schematic

INDEX NUMBER	PART NUMBER	ITEM NAME	UNIT PER ASSY	AVAIL
		FIGURE A-15: EC130T2 Electrical Installation and Schematic		
	N/A	Electrical System - IBF and Aircraft Interface	REF	
1	EN2495-03AM	Circuit Breaker	1	SP
2	LED-42-15-BB-36064 LED-42-25-BB-31493* LED-42-15-KB-36066* LED-42-25-KB-36065*	Switch/Indicator	1	P
3	18-200	Quick Connector	1	SP
4	M39029/22-192	Pin	10	SP
5	D38999/20WA35SN	Electrical Connector	1	SP
6	M85049/39S9W	Backshell	3	SP
7	D38999/26WA35PN	Electrical Connector	2	SP
8	M85049/38S9W	Backshell	3	SP
9	D38999/24WA35SN	Electrical Connector	2	SP
10	D38999/26WA98SA	Electrical Connector	1	SP
11	106113-205	Actuator	1	P
12	106114-201 100409-101*	Differential Pressure Switch	1	P
13	E0536-01**	Diode	2	SP
14	EN3155-016M2020**	Pin	4	SP
		AVAIL CODE DEFINITION		
		P Procurable		
		NP Non Procurable		
		SP Normal stock/procurable		
		* Acceptable Substitute		
		** Optional for EC130T2		